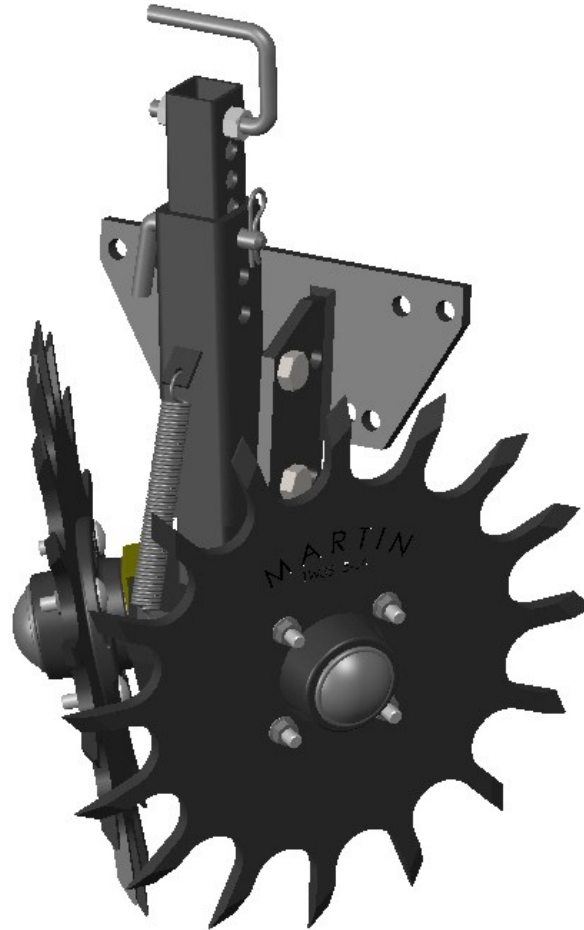


# **WA 1532**

## **Pin Adjust Row Cleaner with 15" Spiked Wheels**

### **Installation Instructions**



Shown with  
MT772 Mount



### **Martin Planter Attachments**

**Martin Industries LLC**

206 Elk Fork Road

Elkton, KY 42220

Telephone: 270-265-5817

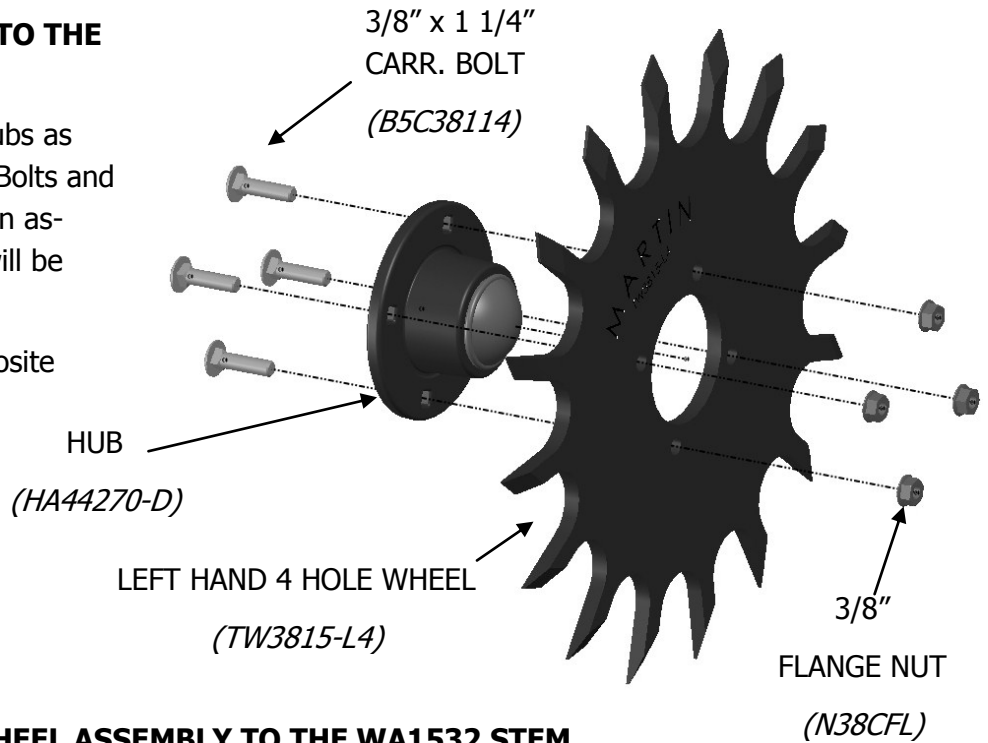
E-Mail: [martin@martintill.com](mailto:martin@martintill.com)

[www.martintill.com](http://www.martintill.com)



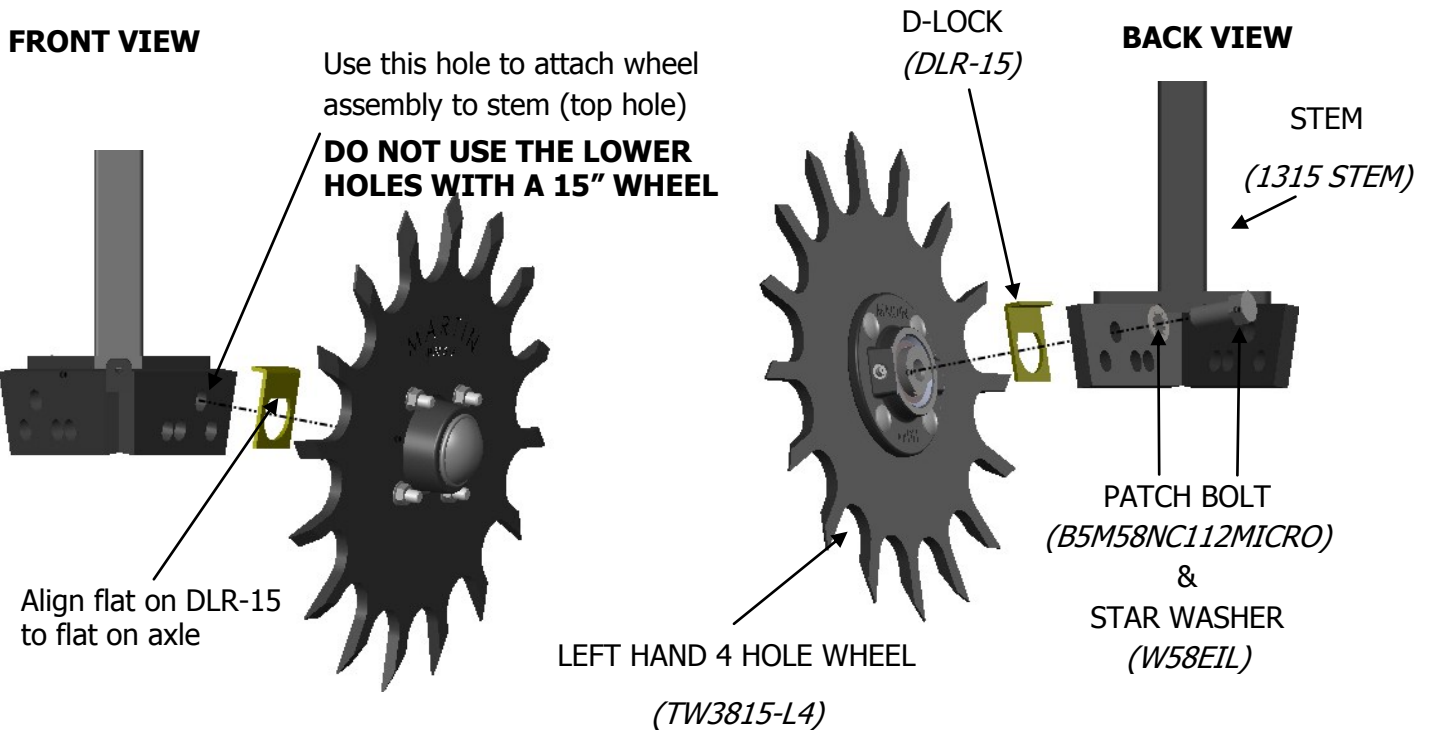
**ASSEMBLING THE WHEEL TO THE HUB.**

- 1) Attach the wheels to the Hubs as shown using 3/8" Carriage Bolts and 3/8" Nuts and tighten. When assembled the part number will be facing away from the hub.
- 2) Repeat the process for opposite side.



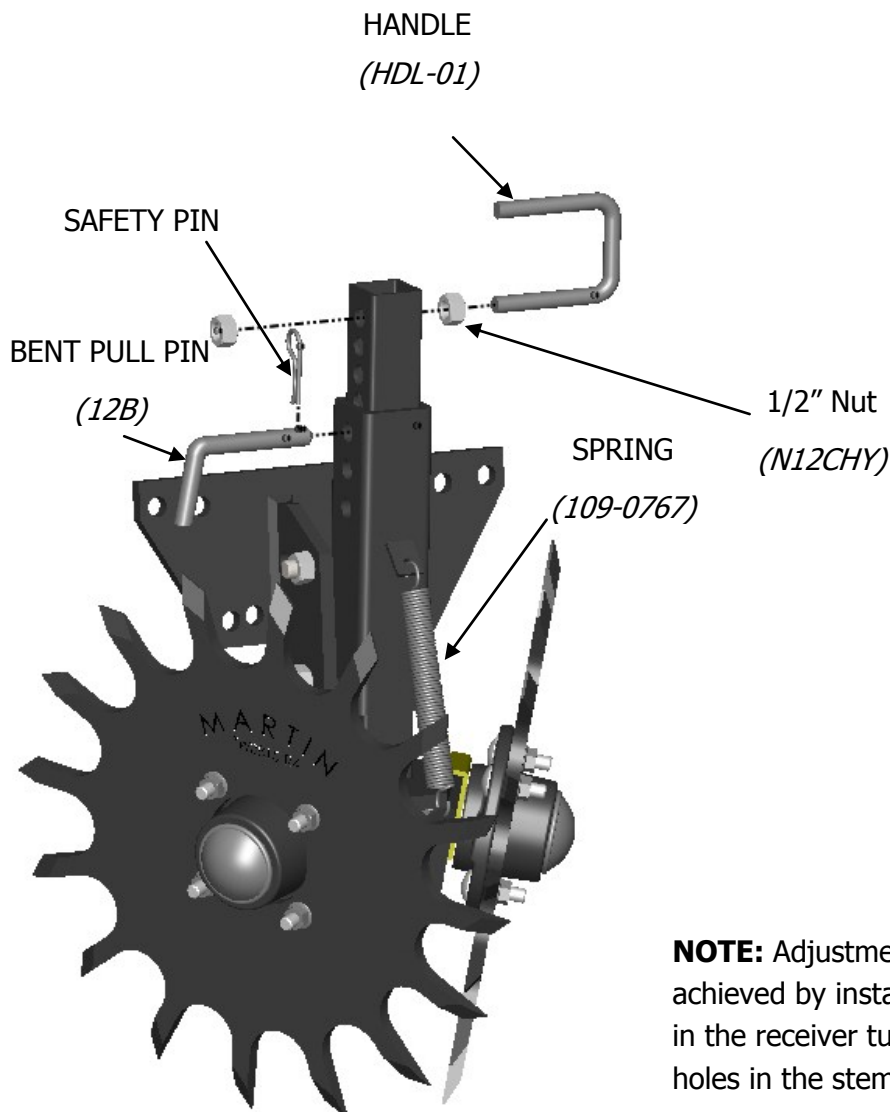
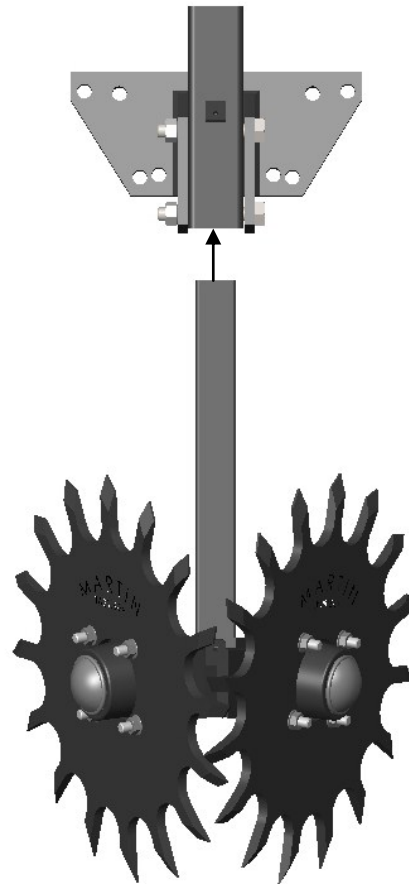
**ATTACHING THE WHEEL ASSEMBLY TO THE WA1532 STEM**

- 1) Place the DLR-15 on to the HA44270-D; align up the flats in the DLR-15 and the HA44270-D axle.
- 2) Place washer up to the upper hole; push 5/8" X 1 1/2" Patch Bolt through washer and upper hole.
- 3) Thread 5/8" X 1 1/2" Patch Bolt into the hub assembly.
- 4) Torque to 200 ft lbs. Recheck after 1 days use. Re-torque if needed. Check periodically thereafter.
- 5) The TW3815-L4 hub assembly will bolt up to the left side..
- 6) Repeat process for Opposite Side (TW3815-R4).



## INSTALLING THE WHEEL ASSEMBLY TO THE MOUNT

- 1) Thread a 1/2" Nut on to the HDL-01 handle.
- 2) Push the WA1532 Stem up through the Receiver Tube Mount.
- 3) Push the HDL-01 handle through the top hole in the Stem.
- 4) Add a 1/2" Nut and tighten.
- 5) Hook the 109-0767 Adjustment Assist Spring to the hole in the Tab on the Mount.
- 6) Hook the opposite end of the 109-0767 Adjustment Assist Spring to the hole in the Tab of the Stem.
- 7) Slide the 12B Pull-Pin through the hole in the Stem.
- 8) Insert Safety Pin in the 12B Pull-Pin.
- 9) **RECHECK ALL BOLTS AND TIGHTEN IF NECESSARY.**



**NOTE:** Adjustment in increments of 1/4" are achieved by installing the pin in one of the 3 holes in the receiver tube, which are 1" apart and the holes in the stem are 3/4" apart.

**Parts list for HA44270-D**

