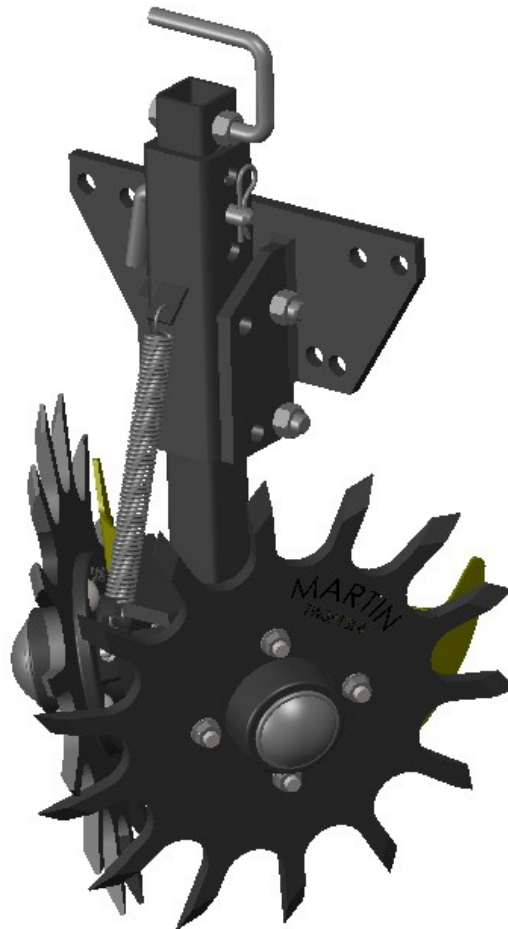


# **WA 1332**

## **Pin Adjust Row Cleaner with 13" Spiked Wheels**

### **Installation Instructions**



Shown with  
MT772 Mount



### **Martin Planter Attachments**

**Martin Industries LLC**

206 Elk Fork Road

Elkton, KY 42220

Telephone: 270-265-5817

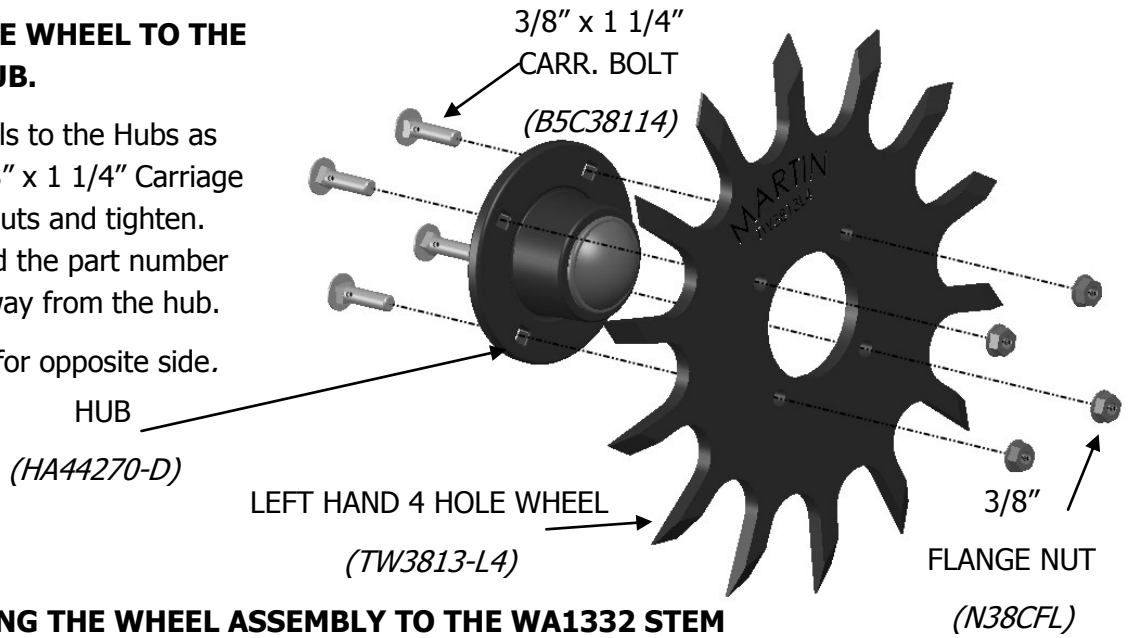
E-Mail: [martin@martintill.com](mailto:martin@martintill.com)

[www.martintill.com](http://www.martintill.com)



**ASSEMBLING THE WHEEL TO THE HUB.**

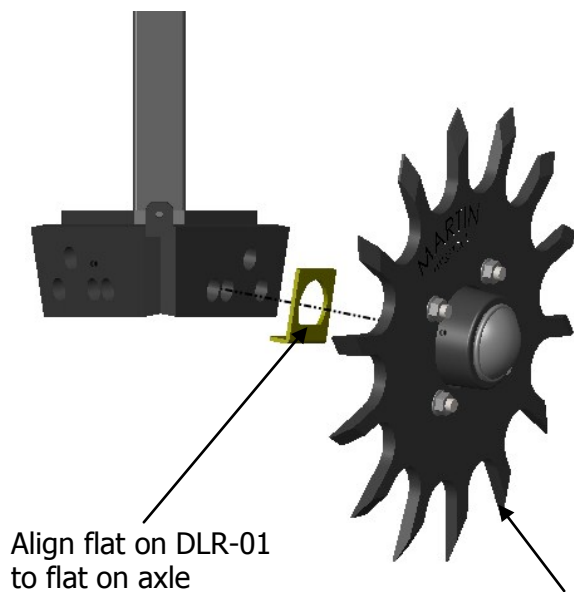
- 1) Attach the wheels to the Hubs as shown using 3/8" x 1 1/4" Carriage Bolts and 3/8" Nuts and tighten. When assembled the part number will be facing away from the hub.
- 2) Repeat process for opposite side.



**ATTACHING THE WHEEL ASSEMBLY TO THE WA1332 STEM**

- 1) Place the DLR-01 on to the HA44270-D by aligning the flats in the DLR-01 and with the flats on the HA44270-D axle.
- 2) Place star washer on the 5/8" X 1 1/2" Patch Bolt and place bolt in the desired hole. (Refer to page 3 for settings)
- 3) Thread 5/8" X 1 1/2" Patch Bolt to the hub assembly.
- 4) Torque to 200 ft lbs. Recheck after 5 hours of use. Re-torque if needed. Check periodically thereafter.
- 5) The TW3813-L4 hub assembly will bolt up to the left side..
- 6) Repeat process for opposite side (TW3813-R4).

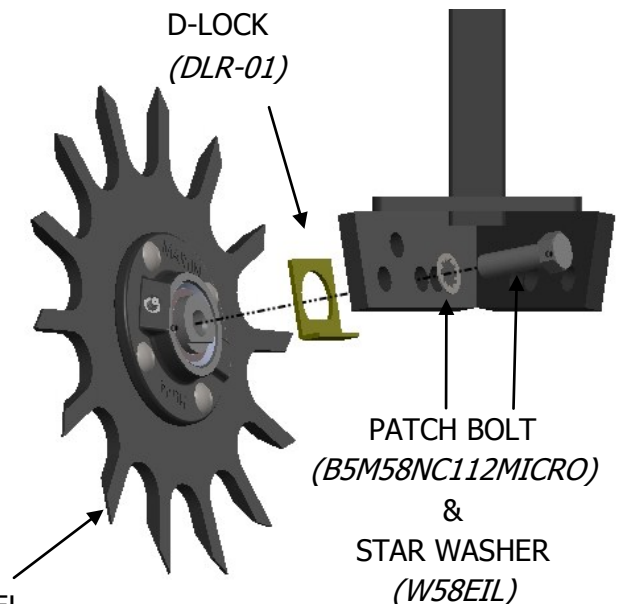
**FRONT VIEW**



Align flat on DLR-01 to flat on axle

LEFT HAND 4 HOLE WHEEL  
(TW3813-L4)

**BACK VIEW**



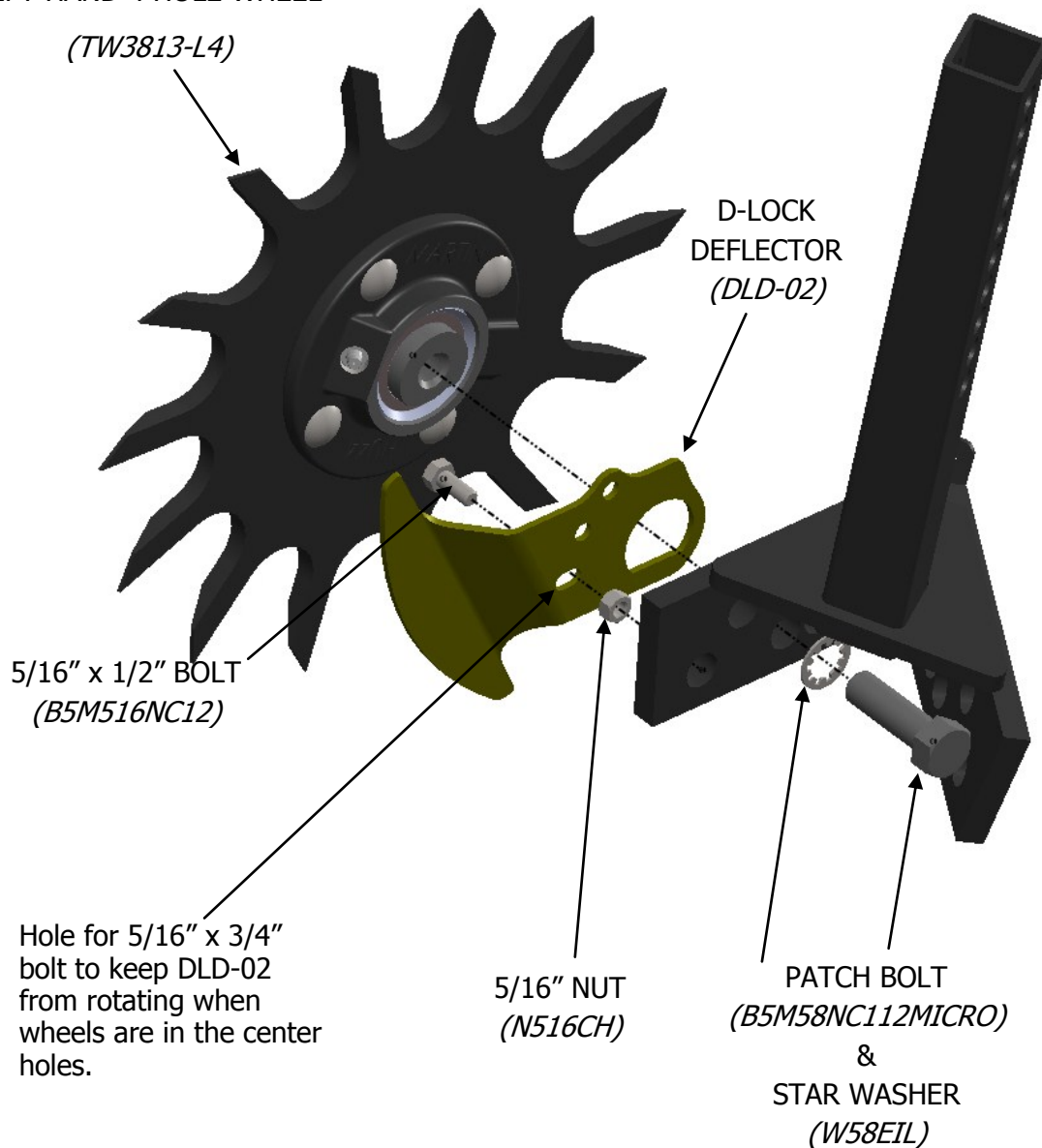
D-LOCK (DLR-01)  
PATCH BOLT (B5M58NC112MICRO) & STAR WASHER (W58EIL)

**INSTALLING THE WHEEL ASSEMBLY WITH D-LOCK  
DEFLECTOR (DLD-02) TO THE WA1332**

**OPTIONAL SUPPLIED WITH WA1332 KIT FOR EXTREME TRASHY CONDITIONS**

- 1) Place the DLD-02 onto the HA44270D by aligning the flats in the DLD-02 and with the flats on the HA44270-D axle.
- 2) Align the threaded hole in the axle with the hole in the WA1332 stem.
- 3) Place the star washer on the 5/8" x 1 1/2" patch bolt.
- 4) Insert the 5/8" x 1 1/2" patch bolt in the hole in the WA1332 stem and thread it into the axle.
- 5) Tighten and torque to 200 ft. lbs. Check after first days use and re-torque if needed.

LEFT HAND 4 HOLE WHEEL



**NOTE: Refer to page 3 for different wheel settings.**

***ATTACHING THE WHEEL WITH D-LOCK DEFLECTOR TO THE  
WA1332 FOR DIFFERENT SOIL CONDITIONS***

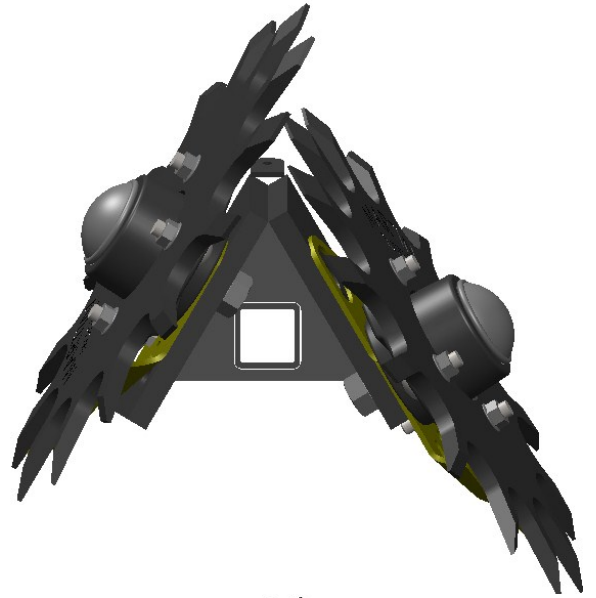
**LEFT WHEEL IN REAR HOLE**

**RIGHT WHEEL IN FRONT HOLE**

The staggered configuration allows the toothed wheels to turn more easily in loose soil.

With this staggered configuration, we suggest running the left wheels in the rear hole on the left half of the planter and the right wheels in the rear hole on the right half of the planter (when viewed from behind).

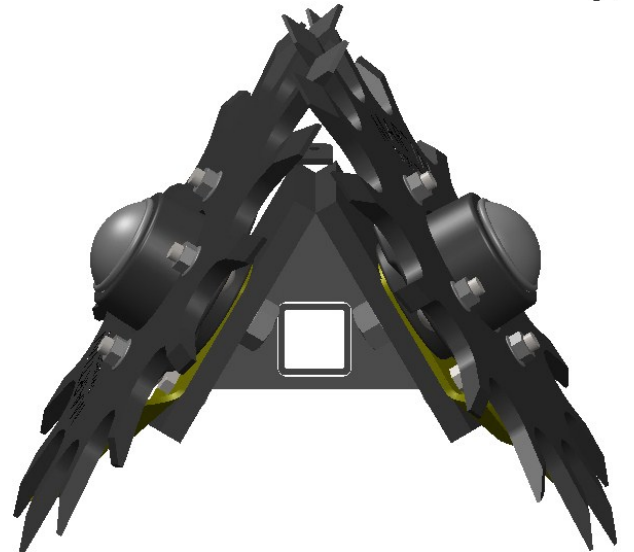
Note: D-Lock deflector bolt fits up against the WA1332, when in the rear hole, not within the 5/8" patch bolt hole.



**BOTH WHEELS IN CENTER HOLE**

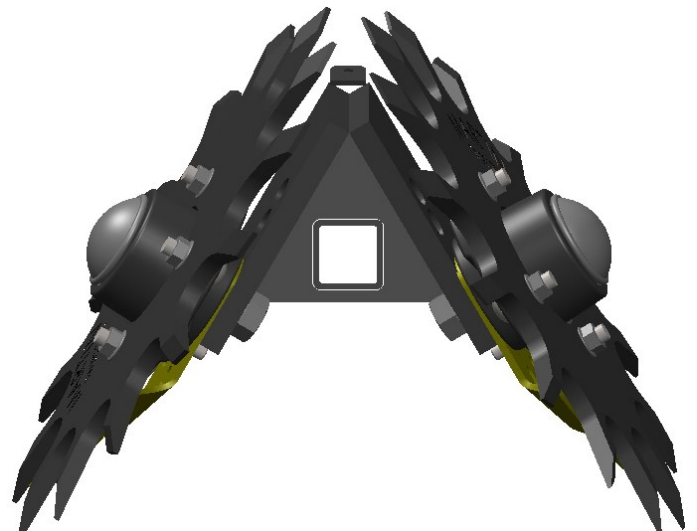
Both wheels forward provides maximum cleaning effect and the interlocked wheels till the middle of the seed row.

Note: The 5/16" D-Lock deflector bolt fits within the 5/8" patch bolt hole, to prevent rotation of the deflector.



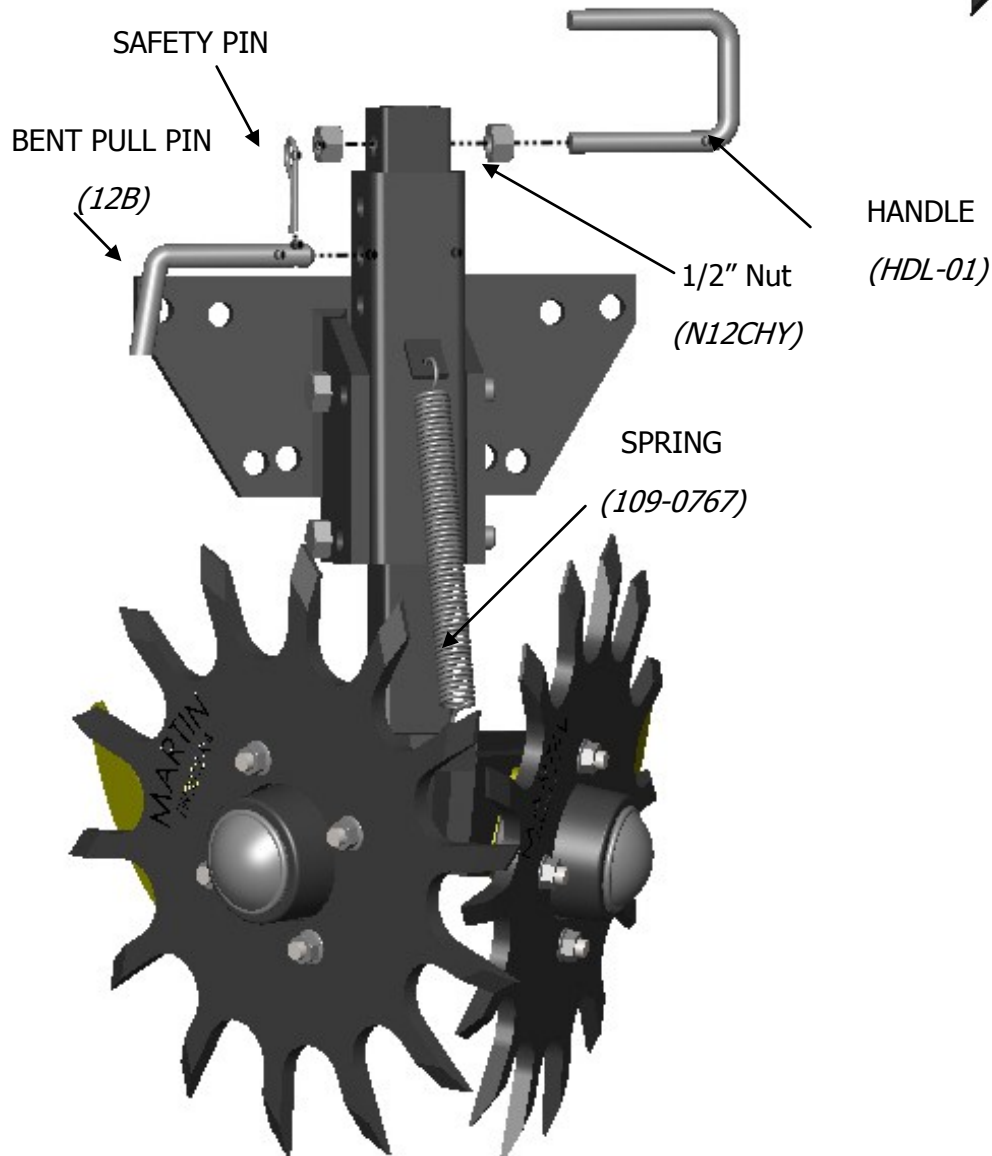
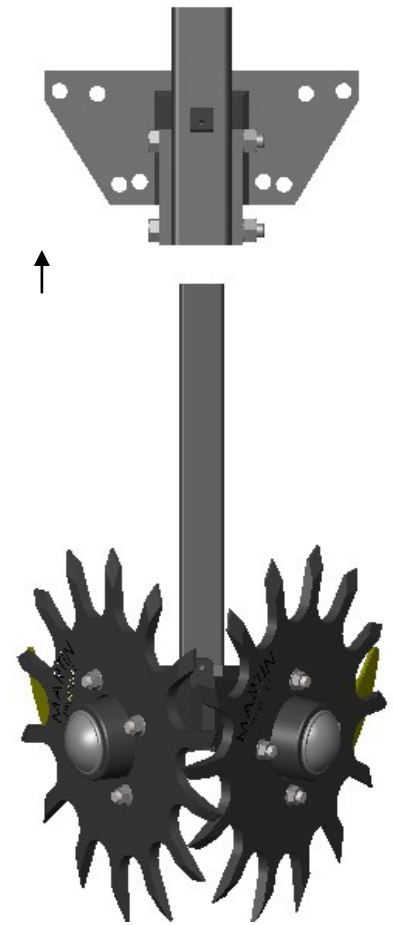
**BOTH WHEELS IN REAR HOLE**

With wheels mounted in the back holes the row center is cleaned less aggressively.



## INSTALLING THE WHEEL ASSEMBLY TO THE MOUNT

- 1) Thread a 1/2" Nut on to the HDL-01 handle.
- 2) Push the WA1332 Stem through the receiver tube mount.
- 3) Push the HDL-01 handle through the top hole in the Stem.
- 4) Add a 1/2" Nut and tighten.
- 5) Hook the 109-0767 Adjustment Assist Spring to the hole in the Tab on the Mount.
- 6) Hook the opposite end of the 109-0767 Adjustment Assist Spring to the hole in the Tab of the Stem.
- 7) Slide the 12B pull-Pin through the hole in the Stem.
- 8) Insert Safety Pin in the 12B pull-Pin.
- 9) **RECHECK ALL BOLTS AND TIGHTEN IF NECESSARY**



**Parts list for HA44270-D**

