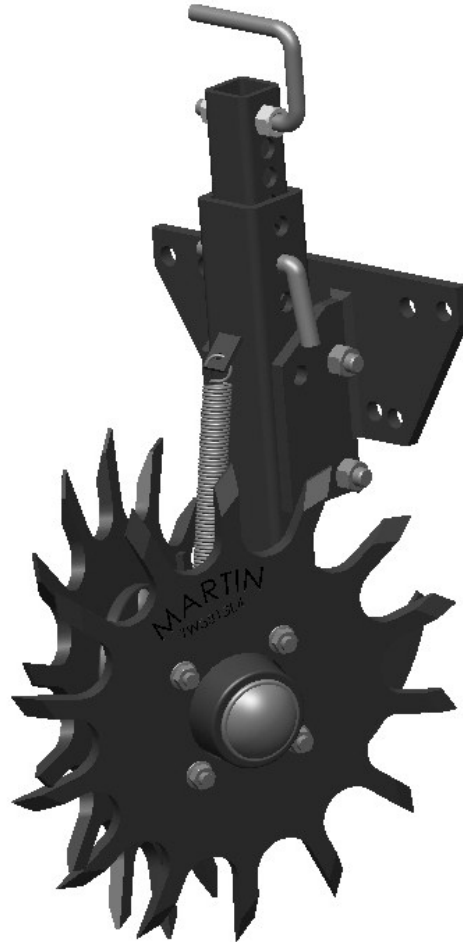


# ***WA 1320N***

## **Pin Adjust Narrow Row Cleaner with 13" Spiked Wheels**

### **Installation Instructions**



Shown with  
MT772 Mount



### **Martin Planter Attachments**

**Martin Industries LLC**

206 Elk Fork Road

Elkton, KY 42220

Telephone: 270-265-5817

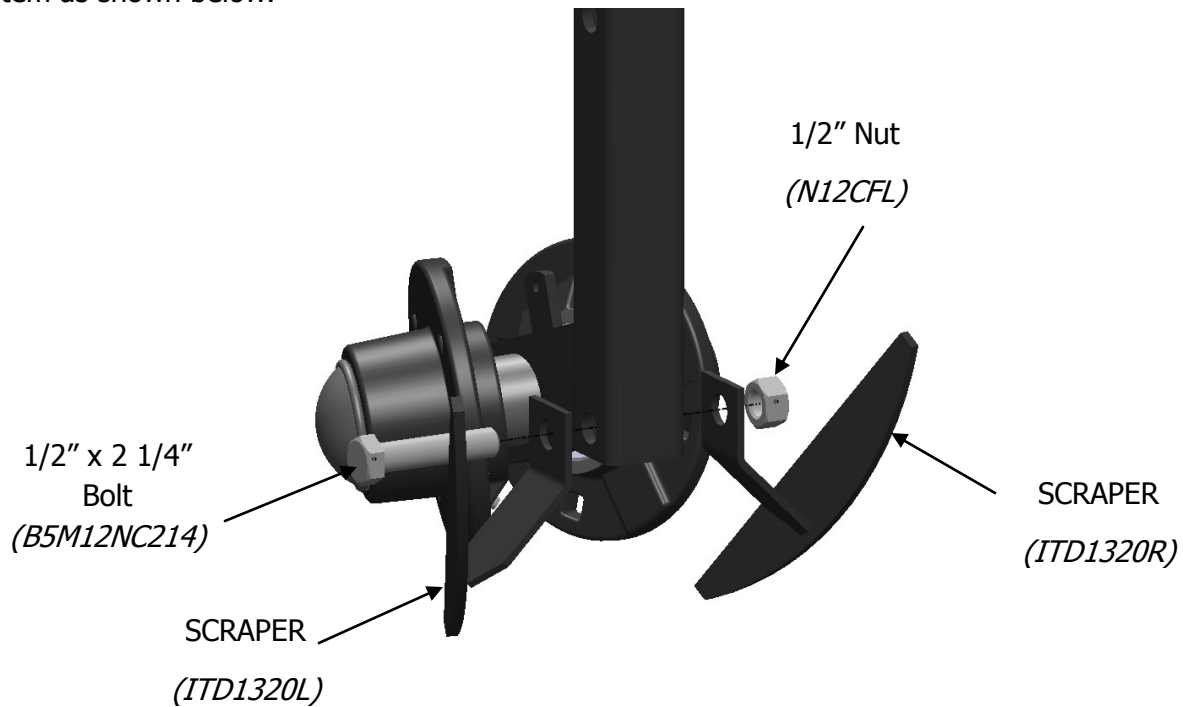
E-Mail: [martin@martintill.com](mailto:martin@martintill.com)

[www.martintill.com](http://www.martintill.com)

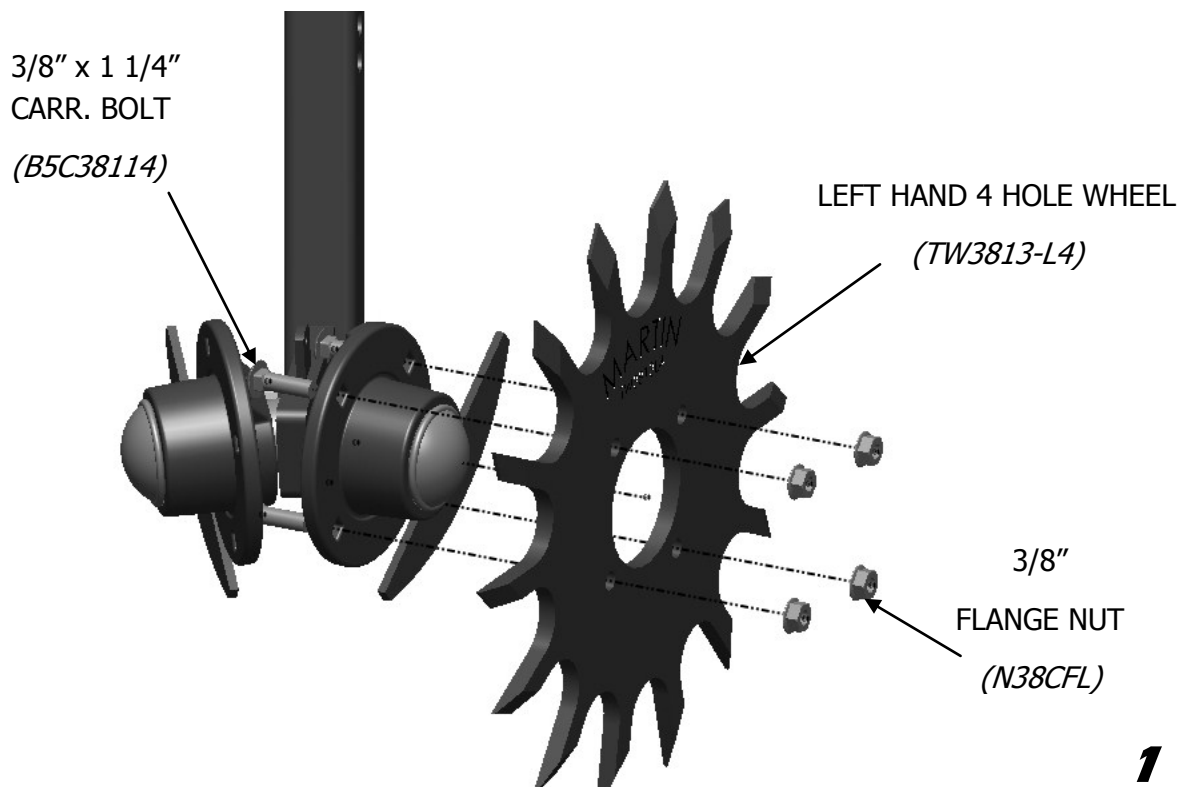


## WA1320 ASSEMBLY INSTRUCTIONS

- 1) Using the 1/2" x 2 1/4" bolt and the 1/2" nut, attach the ITD1320R and the ITD1320L to the WA1320 Stem as shown below.

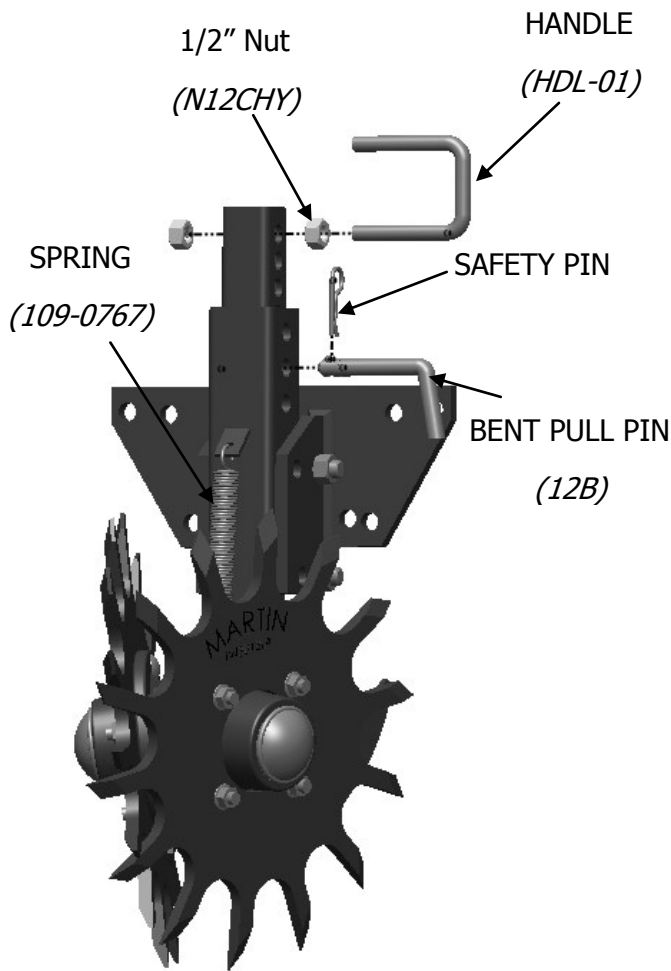
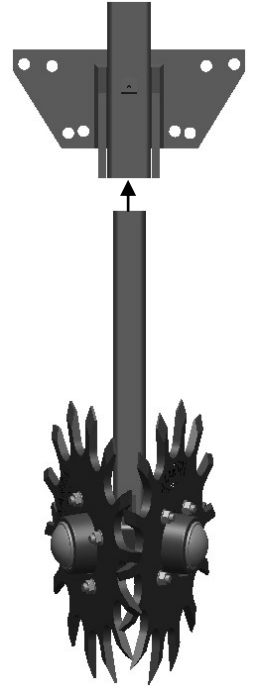


- 2) Place the TW3813-L4 wheel as shown below. The part numbers on the wheel will be facing away from the hub.
- 3) Install the four 3/8" x 1 1/4" carriage bolts and 3/8" nuts and tighten.
- 4) Repeat process for opposite side using the TW3813-R4 wheel.



## INSTALLING THE WA1320 STEM TO THE MOUNT

- 1) Thread the 1/2" Nut onto the HDL-01 handle.
- 2) Push the WA1320 Stem through the mount.
- 3) Insert the HDL-01 handle in the top hole of the WA1320 Stem, then thread on the other 1/2" nut and tighten



- 4) Hook the 109-0767 Adjustment Assist Spring to the hole in the tab on the mount
- 5) Hook the opposite end of the 109-0767 Adjustment Assist Spring to the hole in the tab of the WA1320 Stem
- 6) Slide the 12B Pull-Pin through the hole in the Stem
- 7) Insert Safety Pin in the 12B Pull-Pin.
- 8) **RECHECK ALL BOLTS AND TIGHTEN IF NECESSARY**

**NOTE:** Adjustment in increments of 1/4" are achieved by installing the pin in one of the 3 holes in the receiver tube, which are 1" apart and the holes in the stem are 3/4" apart.

