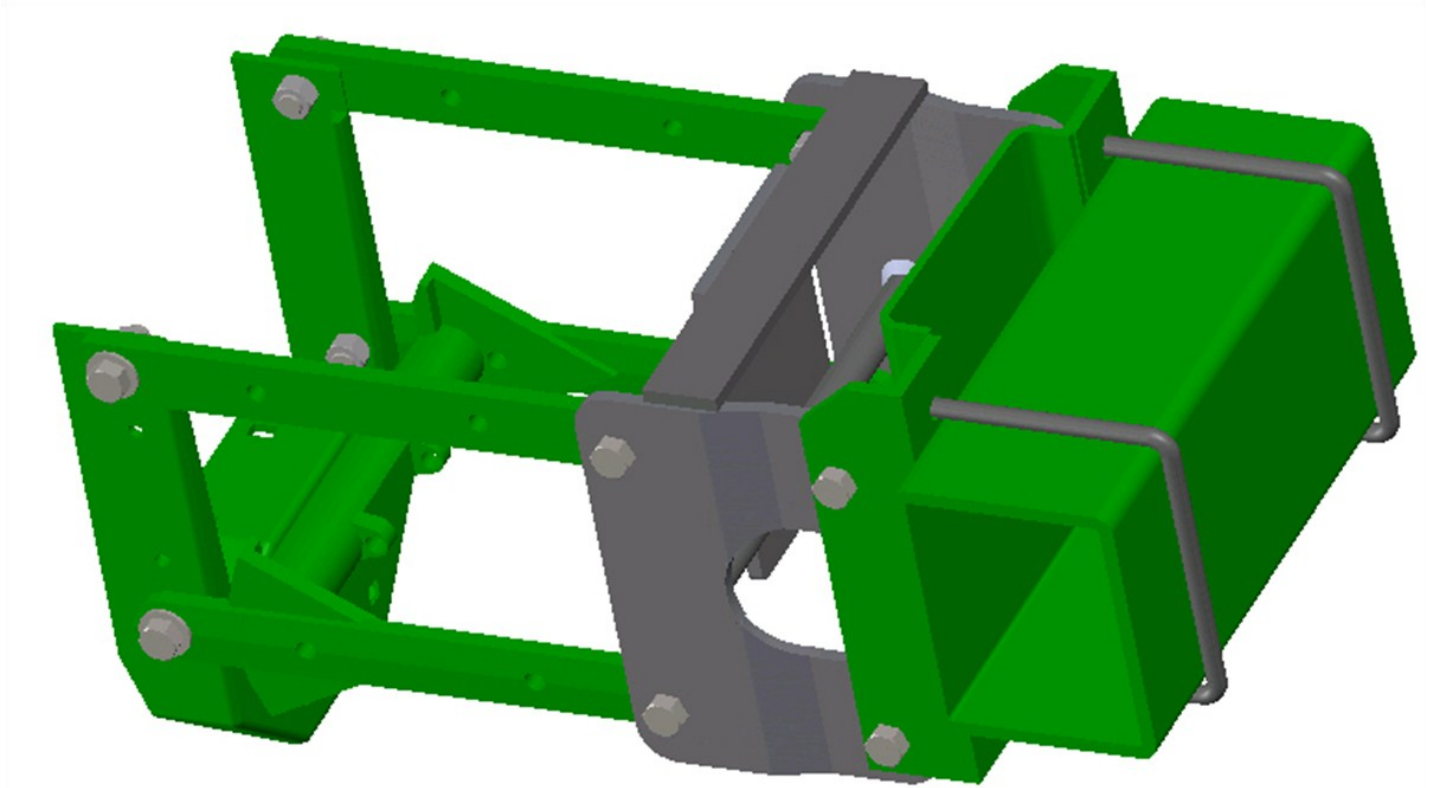


USB-72

Unit Set Back for 7200 - 1700 Series Deere Planter

Installation Instructions



Martin Planter Attachments

Martin Industries LLC

206 Elk Fork Road

Elkton, KY 42220

Telephone: 270-265-5817

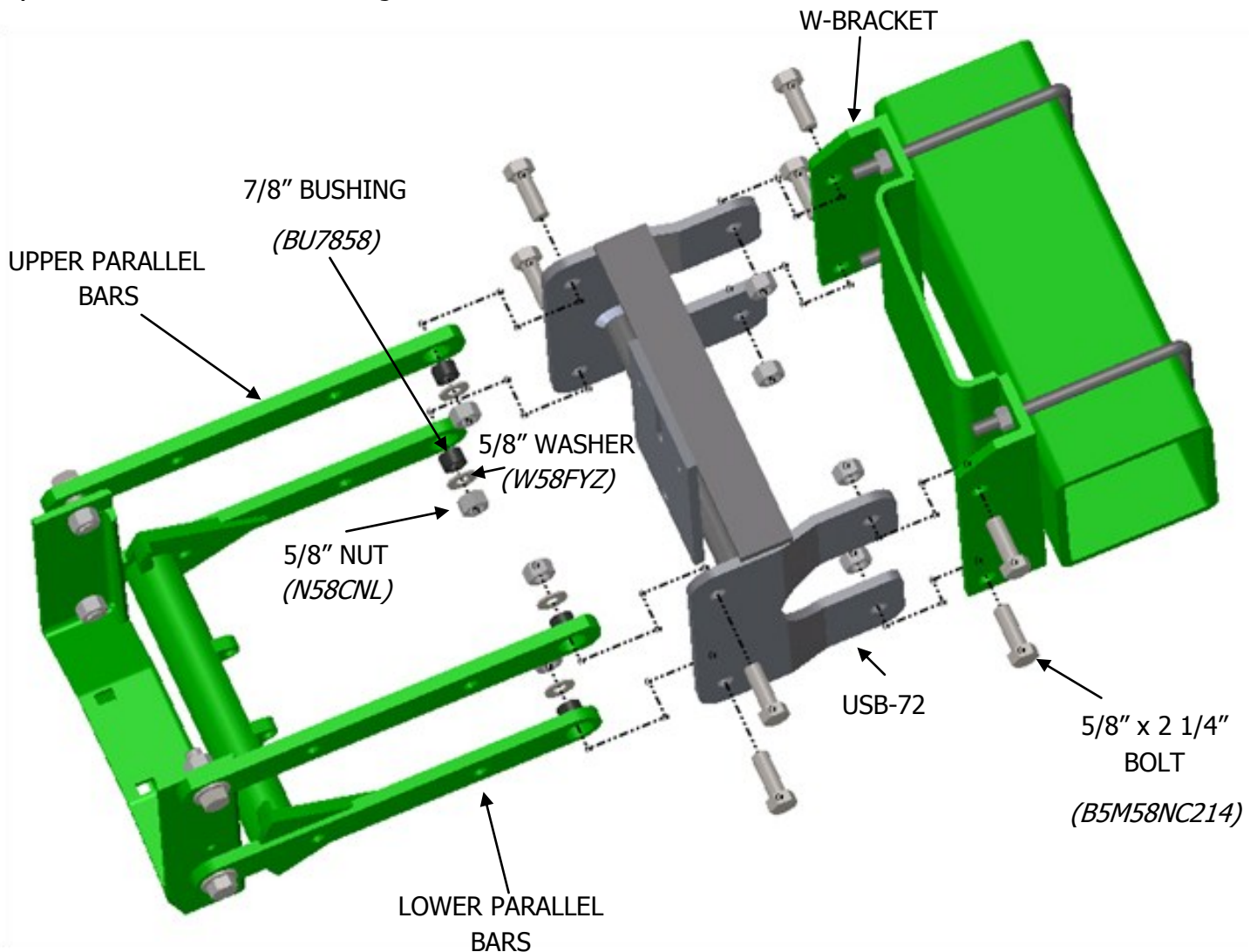
E-Mail: martin@martintill.com

www.martintill.com



INSTALLING THE USB-72 TO DEERE SERIES 7200 MODEL PLANTER

- 1) Remove the chain from the sprockets.
- 2) Remove the 5/8" bolts and nuts from the top parallel bars and the w-bracket.
- 3) Remove the 5/8" bolts and nuts from the bottom parallel bars and the w-bracket.
- 4) Install the USB-72 as shown in the illustrations.
- 5) Install the 5/8" x 2 1/4" bolts and locknuts to the w-bracket and USB-72.
- 6) Install the 5/8" x 2 1/4" bolts and nuts, along with the washer and bushing to the lower parallel bars and the USB-72.
- 7) Install the 5/8" x 2 1/4" bolts and nuts, along with the washer and bushing, to the upper parallel bars and the USB-72.
- 8) Add the supplied length of chain to the present chain and install.
- 9) Check to insure all nuts are tight.



Hardware Required

1) 5/8" X 2 1/4" Bolt	Qty 4
2) 3/8" Nyloc Nut	Qty 4
3) Master Link	Qty 1
4) 12" Roller Chain	Qty 1