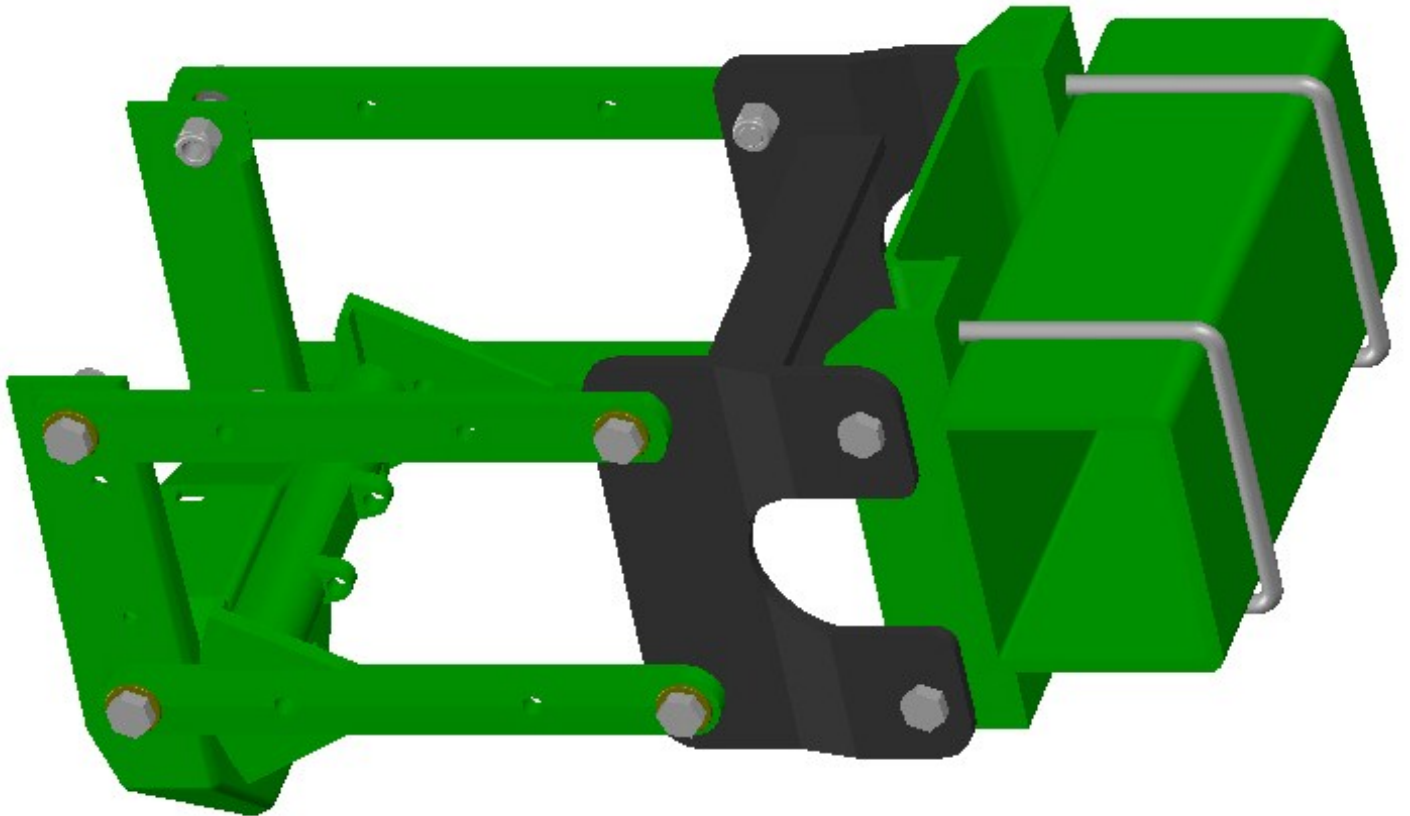


USB-70

Unit Set Back for 7000 Series Deere & Kinze Planters

Installation Instructions



Martin Planter Attachments

Martin Industries LLC

206 Elk Fork Road

Elkton, KY 42220

Telephone: 270-265-5817

E-Mail: martin@martintill.com

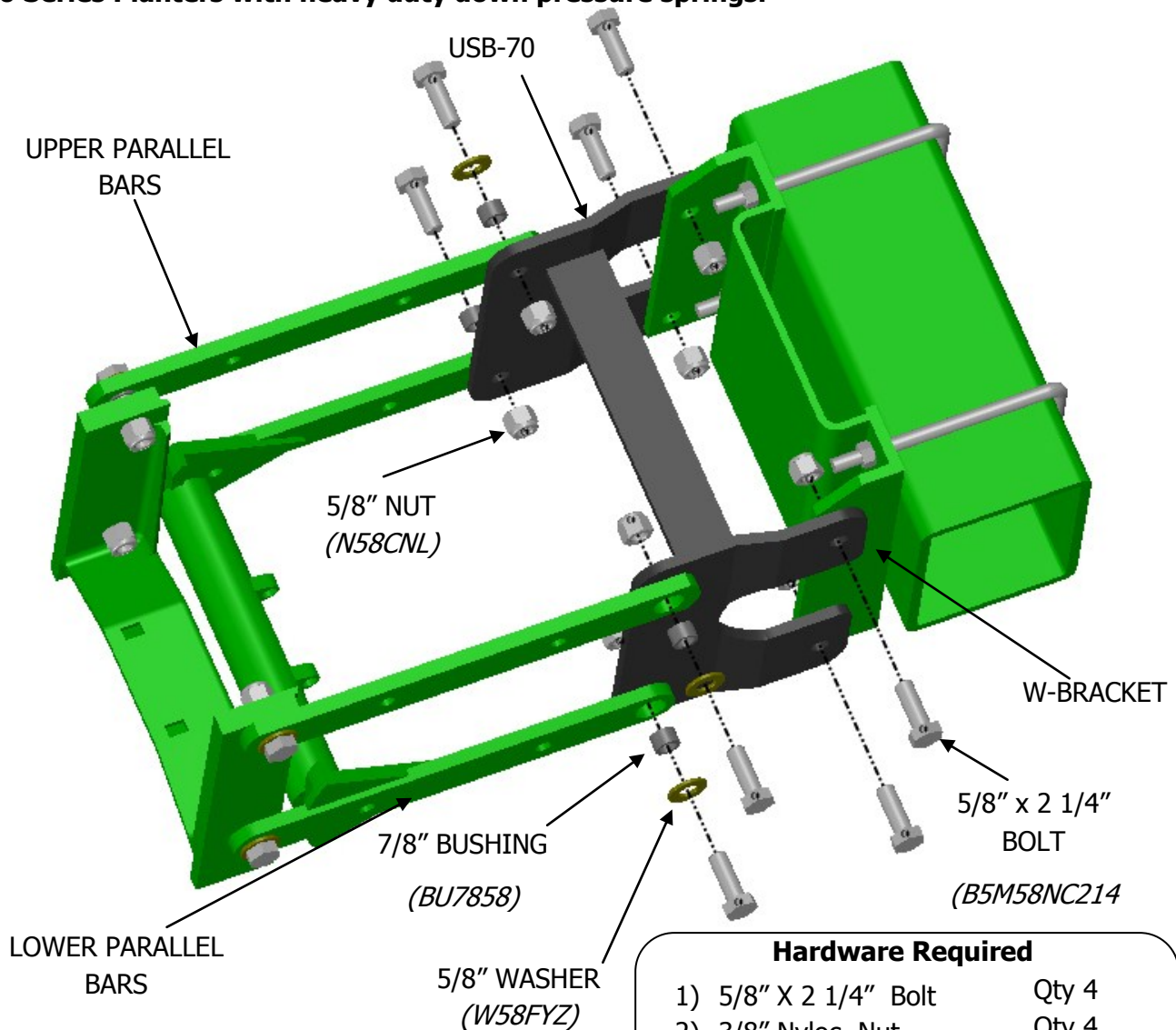
www.martintill.com



INSTALLING THE USB-70 TO DEERE 7000 SERIES & KINZE PLANTERS

- 1) Remove the chain from the sprockets.
- 2) Remove the 5/8" bolts and nuts from the top parallel bars and the w-bracket.
- 3) Remove the 5/8" bolts and nuts from the bottom parallel bars and the w-bracket.
- 4) Install the USB-70 as shown in the illustrations.
- 5) Install the 5/8" x 2 1/4" bolts and locknuts to the w-bracket and USB-70.
- 6) Install the 5/8" x 2 1/4" bolts and nuts, along with the washer and bushing to the lower parallel bars and the USB-70.
- 7) Install the 5/8" x 2 1/4" bolts and nuts, along with the washer and bushing to the upper parallel bars and the USB-70.
- 8) Add the supplied length of chain to the present chain and install.
- 9) Check to insure all nuts are tight.

Note: The two 1/2" x 7" (B5M12NC7) bolts that are supplied with the hardware are for Deere 7000 Series Planters with heavy duty down pressure springs.



Hardware Required

1) 5/8" X 2 1/4" Bolt	Qty 4
2) 3/8" Nyloc Nut	Qty 4
3) Master Link	Qty 1
4) 12" Roller Chain	Qty 1
5) 1/2" x 7" Bolt	Qty 2