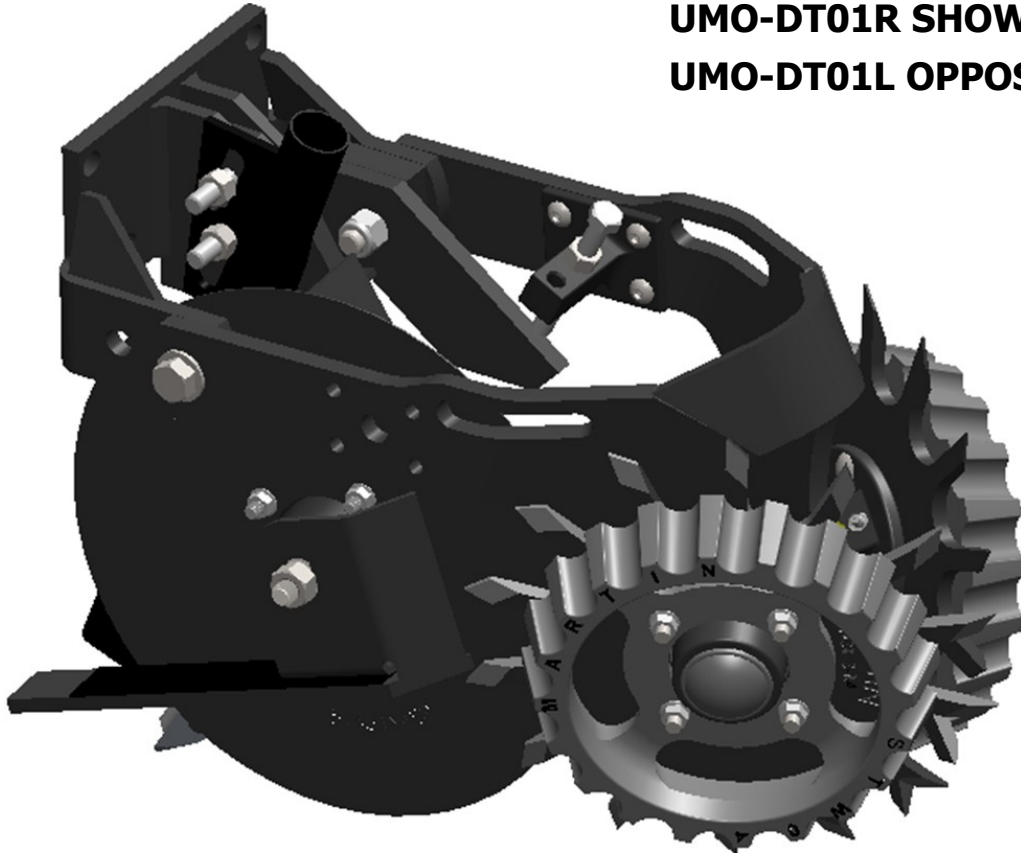


UMO-DT01

UMO Dry Fertilizer Tube

Installation Instructions

**UMO-DT01R SHOWN
UMO-DT01L OPPOSITE**



Martin Planter Attachments

Martin Industries LLC

206 Elk Fork Road

Elkton, KY 42220

Telephone: 270-265-5817

E-Mail: martin@martintill.com

www.martintill.com



INSTALLING THE UMO-DT01R TO THE MT1360 UMO MOUNT WITH UMO-100R

- 1) Place the UMO-100R between the flanges of the MT1360 UMO Mount.
- 2) Place the UMO-12 against the flange as shown. Install the two 1/2" x 3" flange bolt partially thru the two bolt holes.
- 3) Place the DT-01R against the flanges aligning the holes then push the two 1/2" x 3" bolts the remaining way.
- 4) Add the two 1/2" nuts and tighten.

NOTE: UMO-DT01L INSTALLATION WILL BE OPPOSITE.

