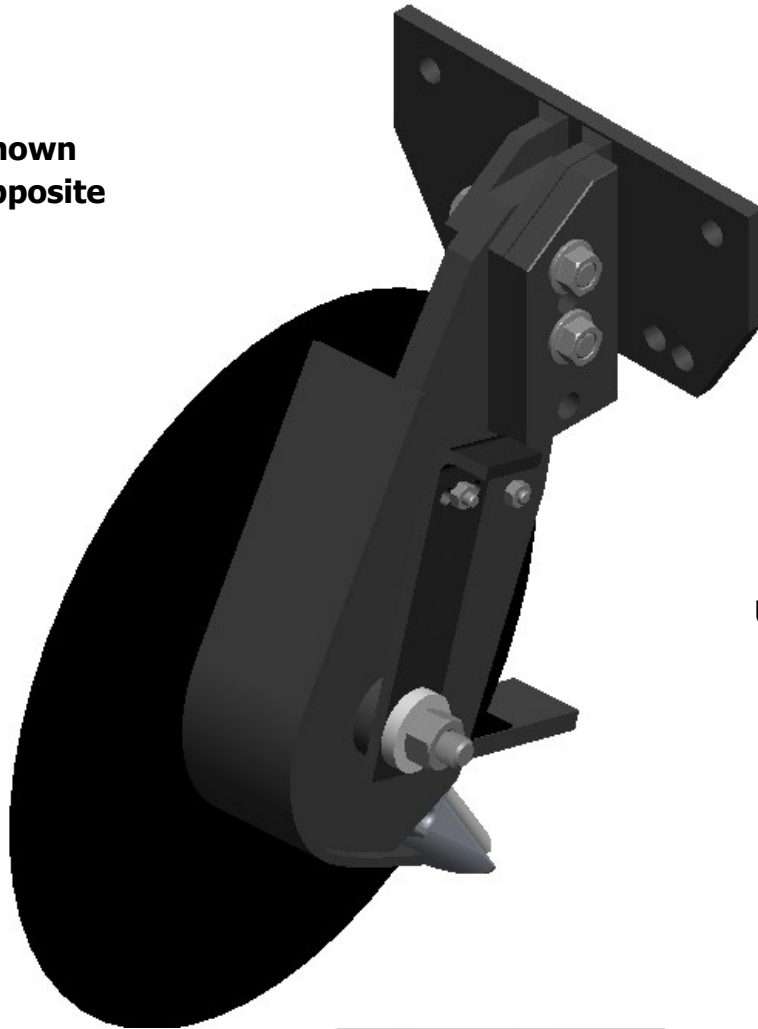


UMO-100

UNIT MOUNTED FERTILIZER OPENER

Installation Instructions

**UMO-100R Shown
UMO-100L Opposite**



**Shown with
UMO-MTJ Mount**



Martin Planter Attachments

Martin Industries LLC

206 Elk Fork Road

Elkton, KY 42220

Telephone: 270-265-5817

E-Mail: martin@martintill.com

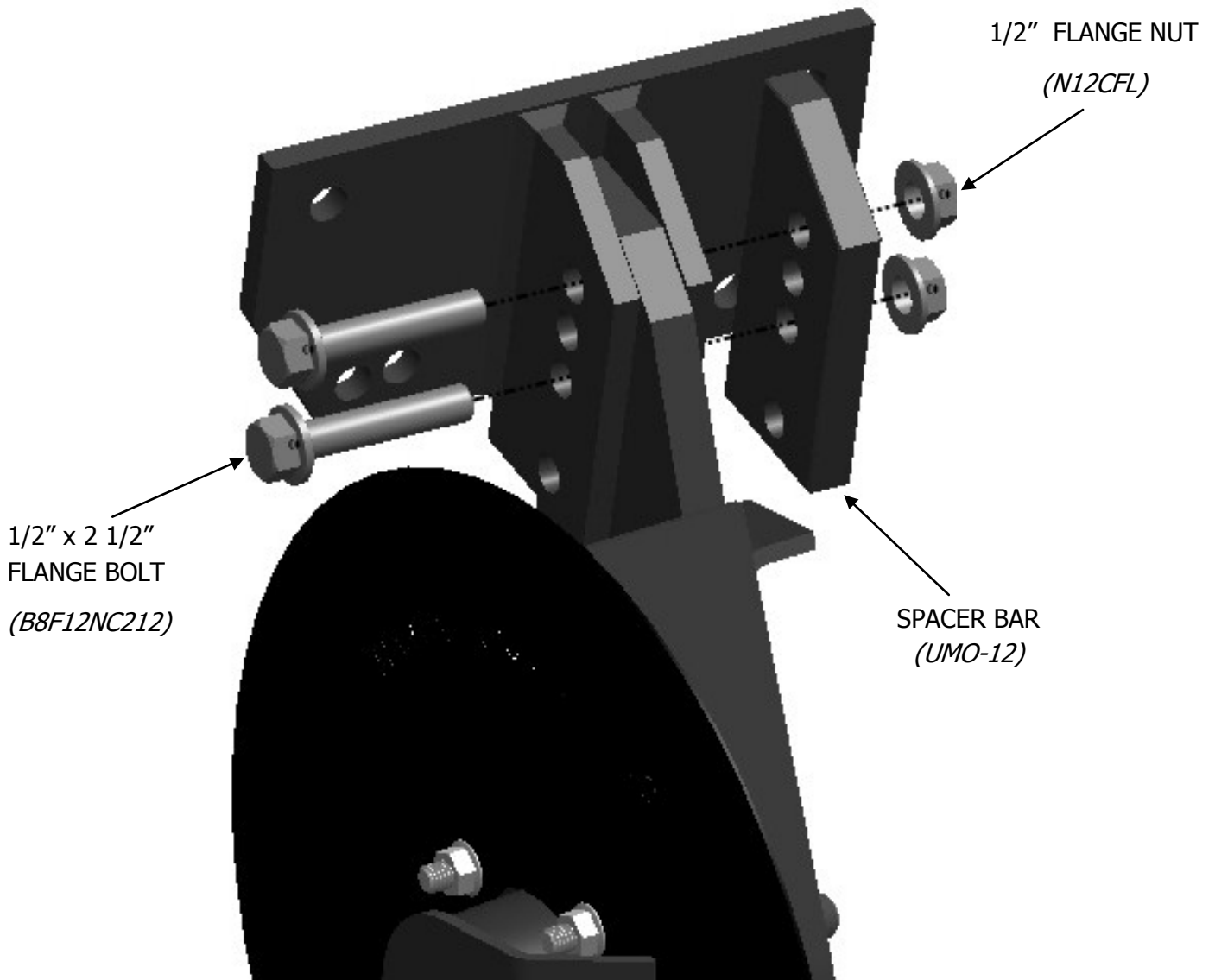
www.martintill.com



INSTALLING UMO-100 TO THE UMO MOUNT

- 1) Place the UMO-100 between the 2 flanges of the mount.
 - 2) Insert the two 1/2" x 2 1/2" flange bolts.
 - 3) Place the UMO-12 spacer bar on to the bolts and against the flange and add the two 1/2" flange nuts and tighten.
 - 4) Torque to 80 ft. lbs. Check torque after a days use.
 - 5) The below mounting will be 3/4" above seed depth and 2" from seed furrow.
- Bolt head must be opposite of UMO Stop Arm**

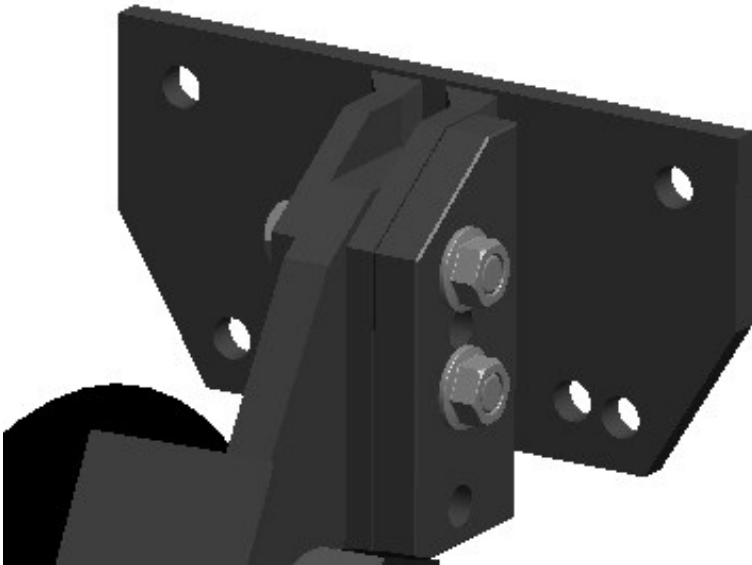
See pages 2 and 3 for additional depth and fertilizer placement settings.



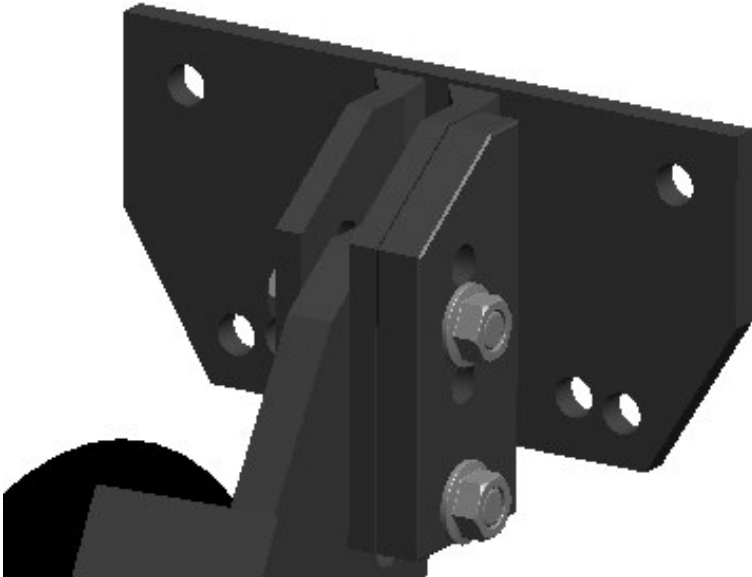
Hardware Required

- | | |
|-------------------------------|-------|
| 1) 1/2" x 2 1/2" Flange Bolts | Qty 2 |
| 2) 1/2" Flange Nuts | Qty 2 |

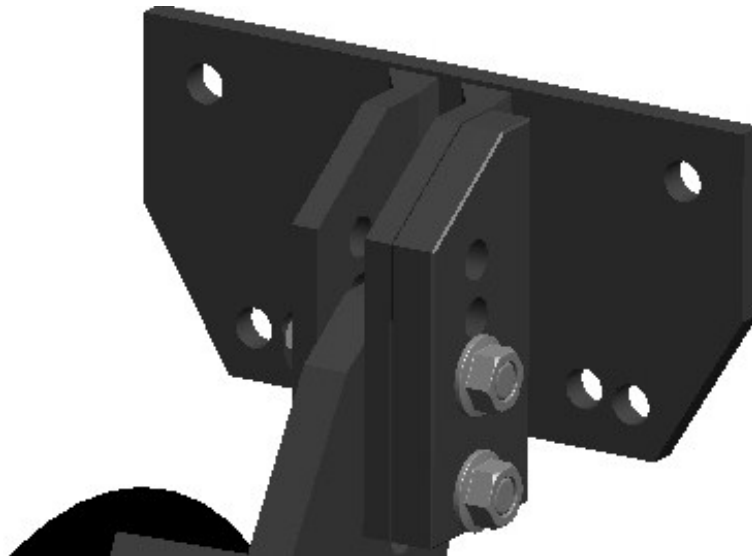
UMO-100 DEPTH SETTINGS



Shown at 3/4" above seed depth.

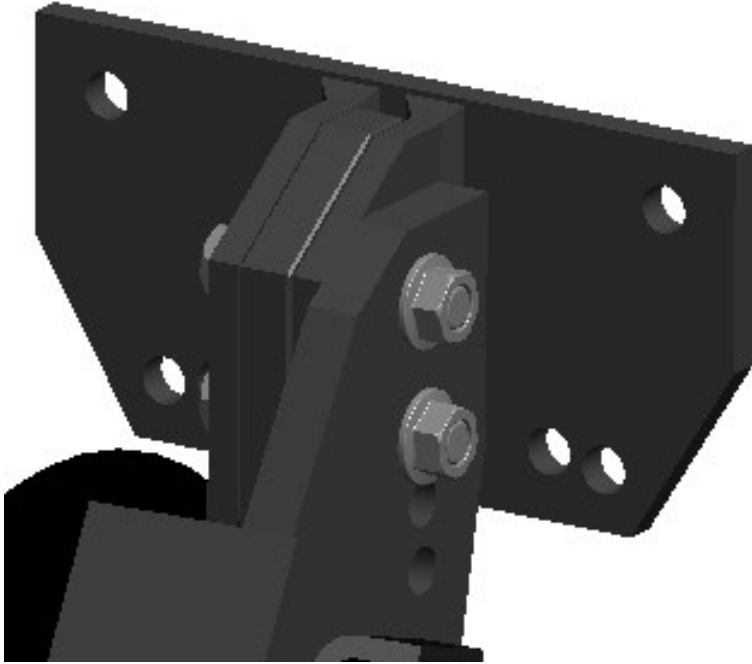


Shown at seed depth.

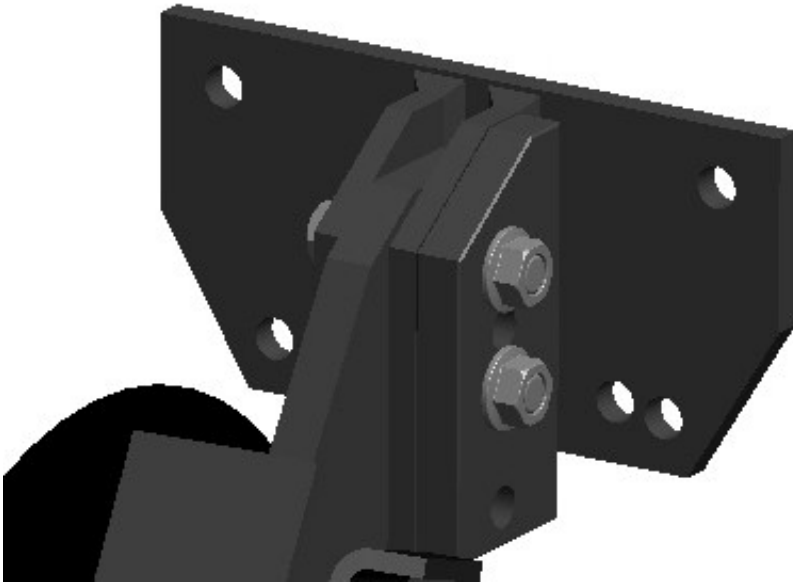


Shown at 3/4" below seed depth.

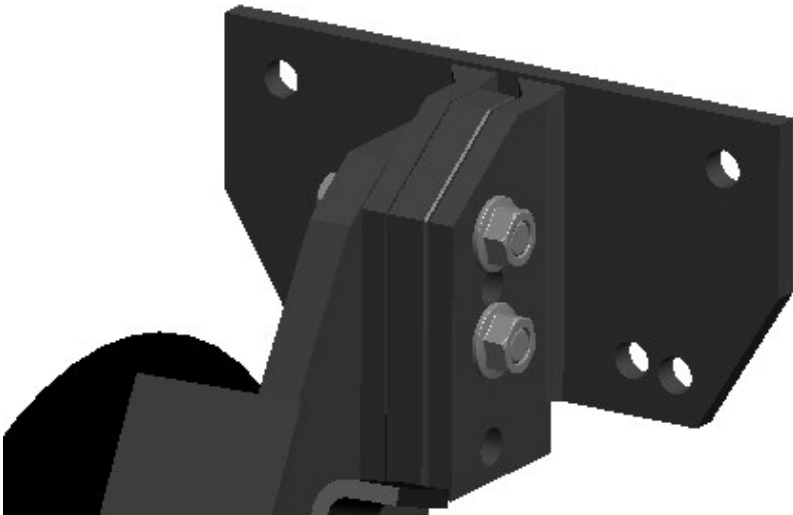
OFFSET PLACEMENT SETTINGS FROM SEED FURROW



Offset 1" from seed furrow.



Offset 2" from seed furrow.

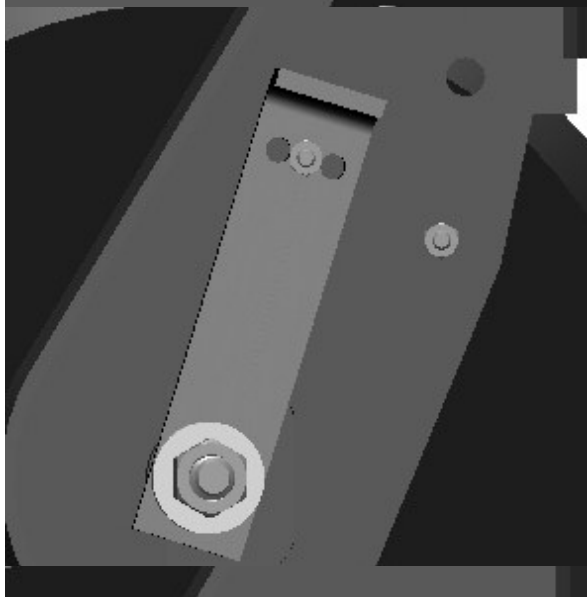


Offset 3" from seed furrow.

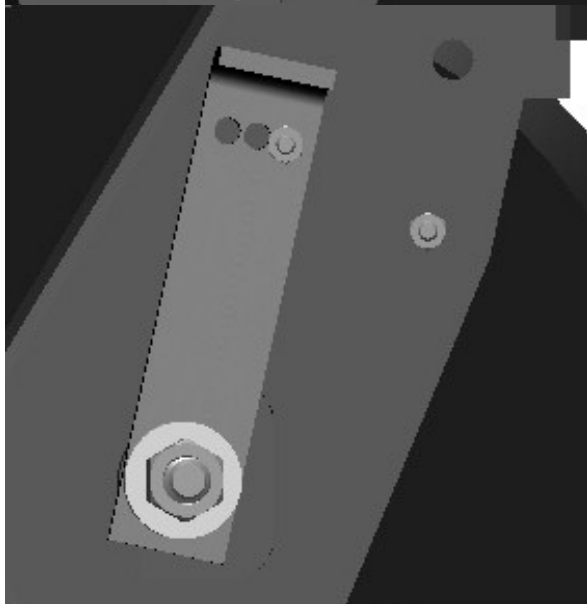
FURROW CONTROL LEVER ADJUSTMENTS IF NEEDED



**3/4" Above seed
depth**

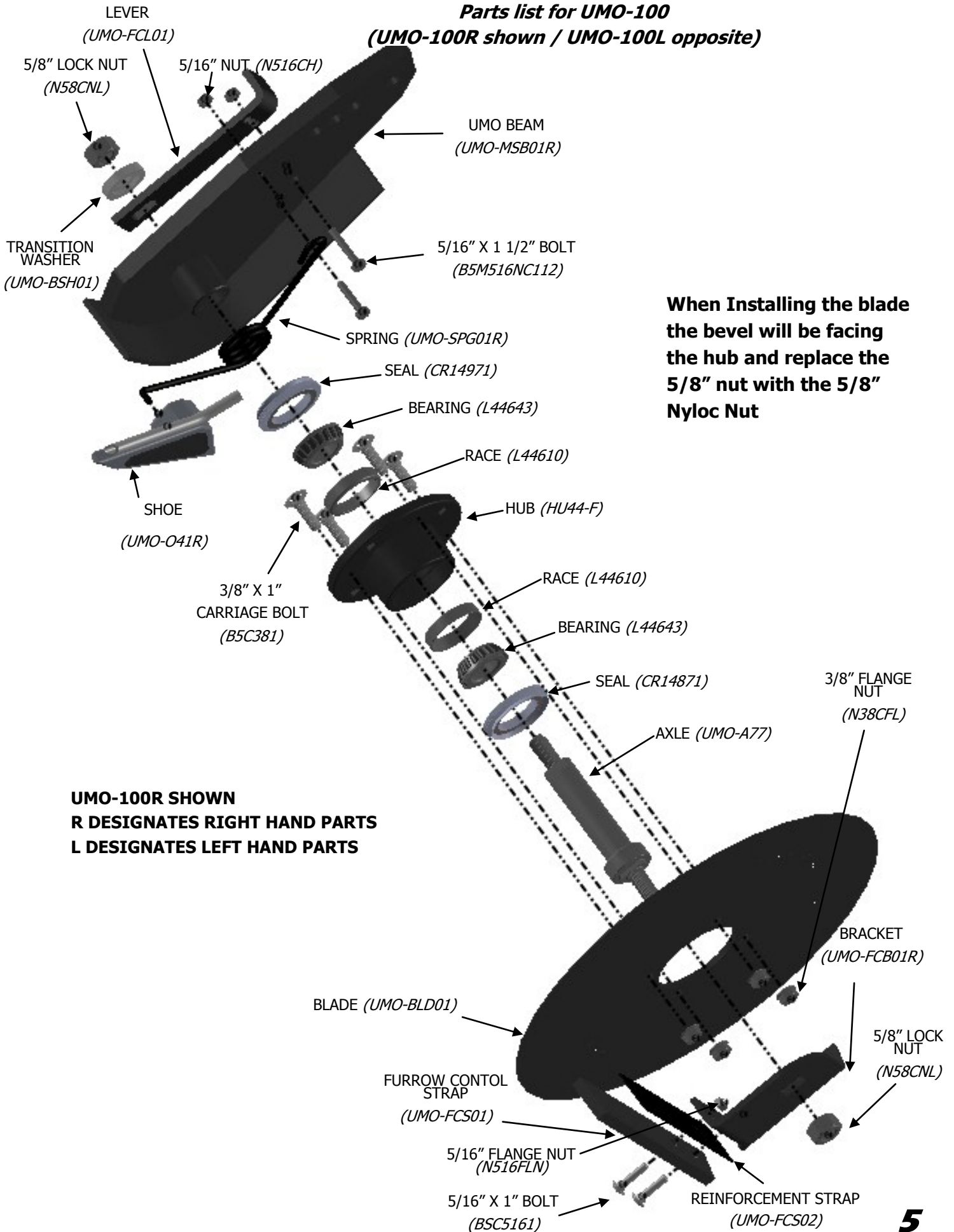


At Seed depth



**3/4" Below seed
depth**

Parts list for UMO-100
(UMO-100R shown / UMO-100L opposite)



When Installing the blade the bevel will be facing the hub and replace the 5/8" nut with the 5/8" Nyloc Nut

UMO-100R SHOWN
R DESIGNATES RIGHT HAND PARTS
L DESIGNATES LEFT HAND PARTS