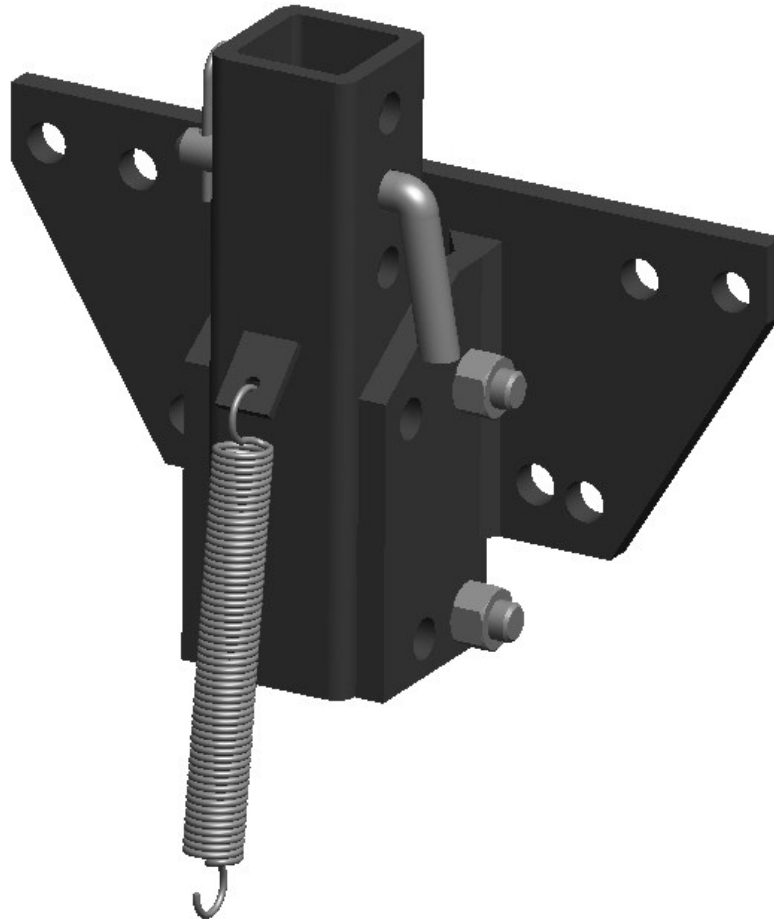


MT772

Mounting Bracket for Pin Adjust Row Cleaners for Deere and Kinze Planters

Installation Instructions



Martin Planter Attachments

Martin Industries LLC

206 Elk Fork Road

Elkton, KY 42220

Telephone: 270-265-5817

E-Mail: martin@martintill.com

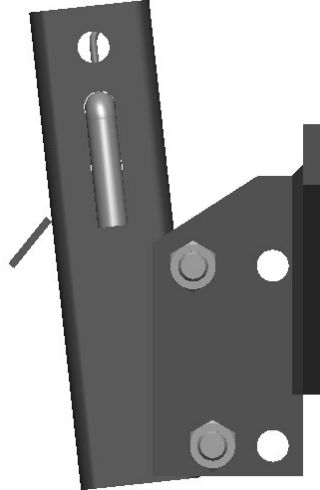
www.martintill.com



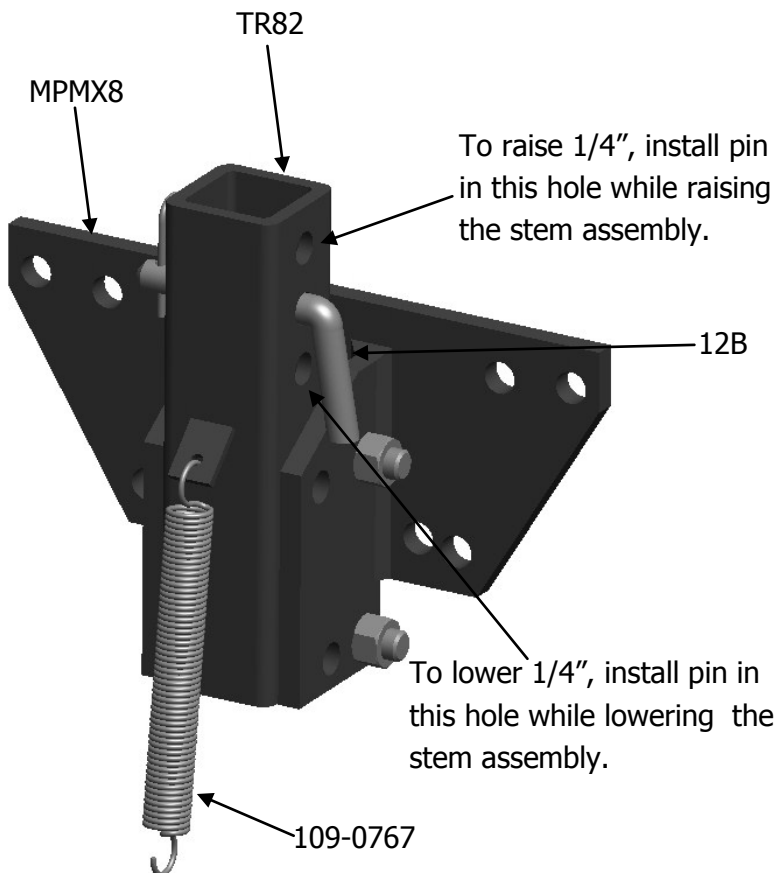
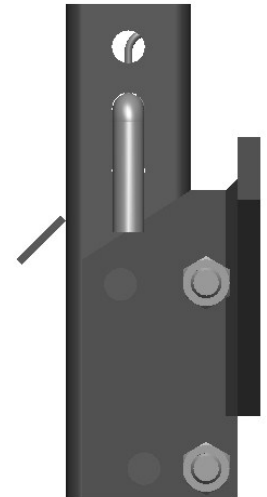
Installation Instructions for MT772

- 1) Attach MPMX8 Mounting Plate to planter unit, using the four 1/2" X 1 1/12" (B5M12NC112) Hex Bolts and the four 1/2" (N12CFL) Flanged Lock Nuts.
- 2) Using the two 1/2" X 3 1/2" (B5M12NC312) Hex Bolts and the two 1/2" (N12CNL) Nyloc Nuts, install the TR82 Receiver Tube between side plates on the MPMX8 Mounting Plate. See illustrations below for correct mounting location.

Forward position for planters with lower arm braced in rear position. (Late DEERE AND KINZE)



Rear position for planters with lower arm braced in mid position (Early DEERE AND KINZE)



HARDWARE:

- | | |
|---------------------------|-------|
| 1) 1/2" X 1 1/2" Hex Bolt | Qty 4 |
| 2) 1/2" Flange Lock Nut | Qty 4 |
| 3) 1/2" x 3 1/2" Hex Bolt | Qty 2 |
| 4) 1/2" Nyloc Nut | Qty 2 |
| 5) 12B Bent Pull Pin | Qty 1 |
| 6) 109-0767 Spring | Qty 1 |
| 7) Safety Pin | Qty 1 |