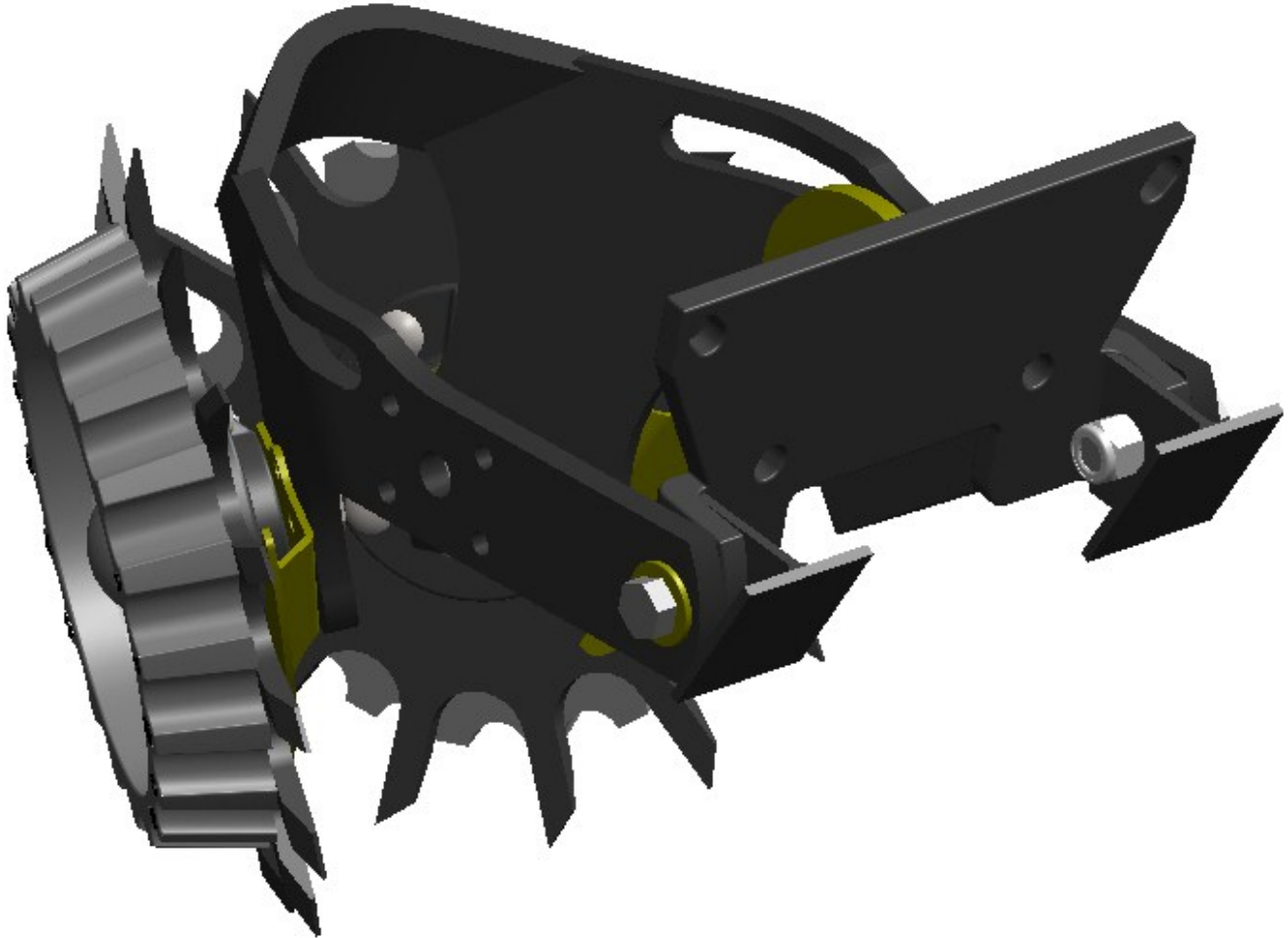


KGWS-01

Kinze Gauge Wheel Shield

Installation Instructions



Martin Planter Attachments

Martin Industries LLC

206 Elk Fork Road

Elkton, KY 42220

Telephone: 270-265-5817

E-Mail: martin@martintill.com

www.martintill.com



INSTALLING KGWS-01 KINZE GAUGE WHEEL SHIELD TO THE 1360 FRAME AND MT1360KWS MOUNT

- 1) Remove the 5/8" x 2" bolt, nut and washer from the 1360 Frame and the MT1360KS Mount.
- 2) Place the KGWS-01 to the inside of the MT1360KS Mount.
- 3) Align the bolt holes
- 4) Place the 5/8" Washer to the outside of the 1360 Frame.
- 5) Slide 5/8" x 2" bolt through the hole.
- 6) Add the 5/8" nut.
- 7) Tighten nut, and torque to 150 ft. lbs.
- 8) Repeat process for opposite side.

