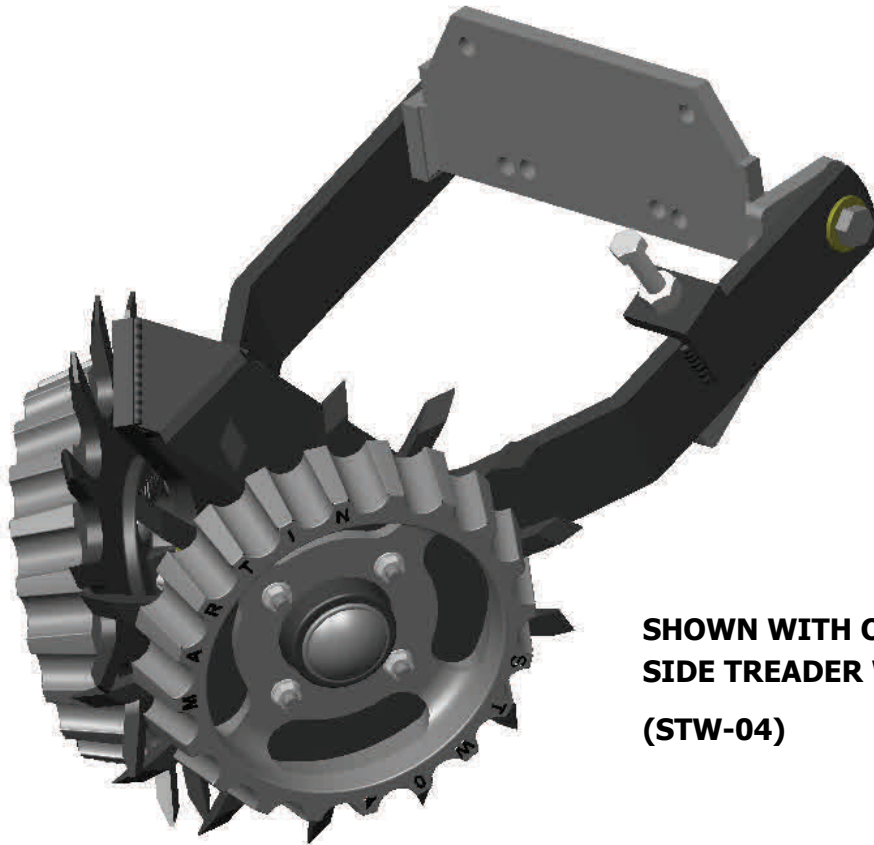


# ***C125S-XP***

**Floating Row Cleaner for Deere 7200 and later planters  
for use without No-Till Coulter or UMO-100**

## **Installation Instructions**



**SHOWN WITH OPTIONAL  
SIDE TREADER WHEELS  
(STW-04)**



### **Martin Planter Attachments**

**Martin Industries LLC**

206 Elk Fork Road

Elkton, KY 42220

Telephone: 270-265-5817

E-Mail: [martin@martintill.com](mailto:martin@martintill.com)

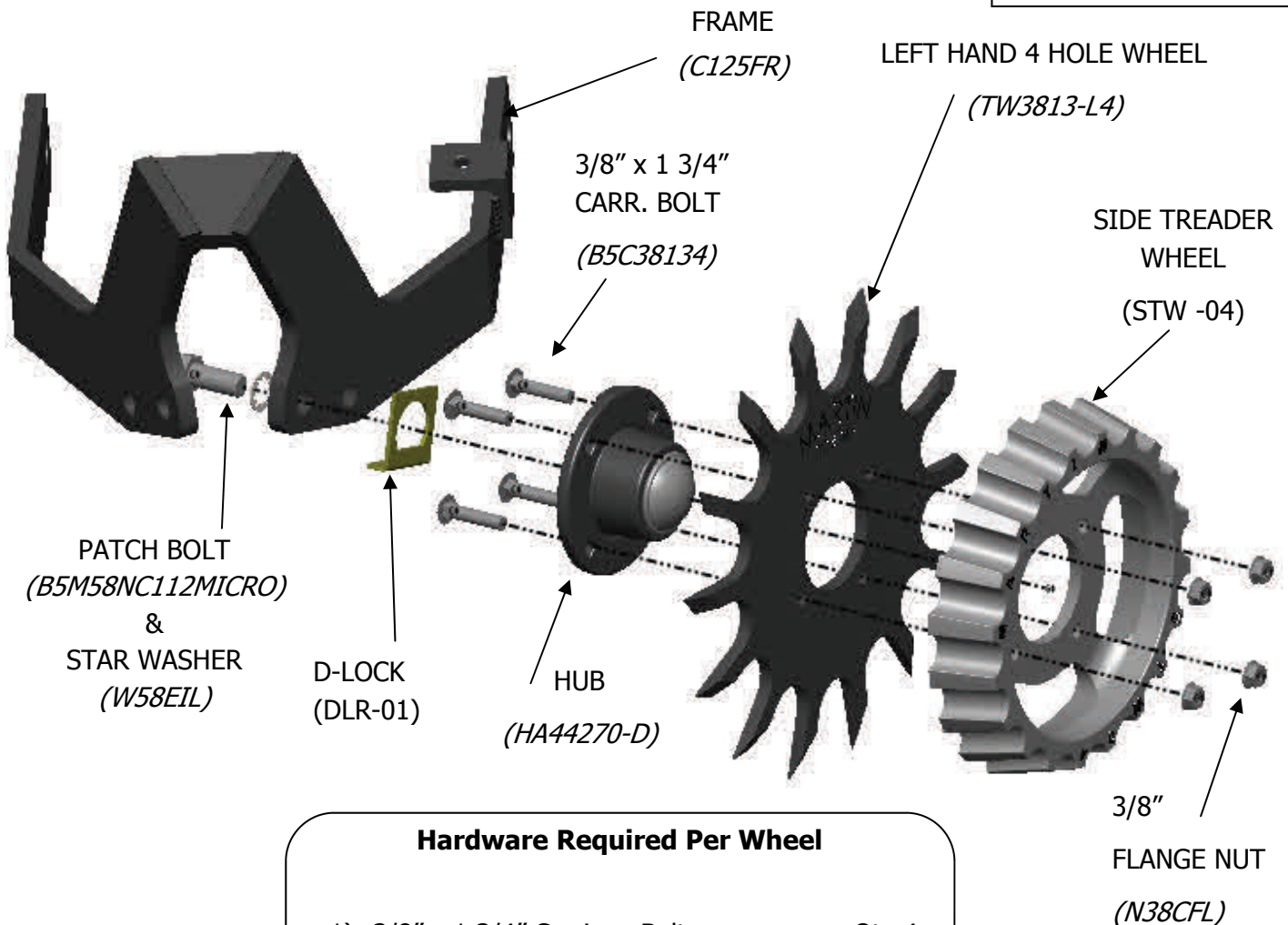
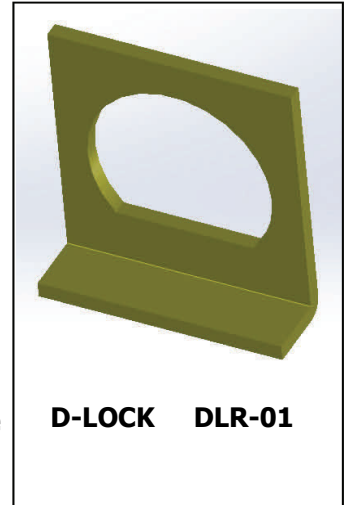
[www.martintill.com](http://www.martintill.com)



## INSTALLING THE WHEEL ASSEMBLY WITH D-LOCK TO THE C125 FRAME

Either the D-Lock (illustrated right) or the D-Lock deflector (illustrated on following page) must be installed to allow the 5/8" patch bolt to tighten without the hub rotating. The D-Lock is recommended when working in corn stalks, conventional tillage, minimum tillage or strip till.

- 1) Attach the D-lock to the end of the hub axle making sure it is flush with the end of the axle before bolting the axle to the frame.
- 2) Secure the hub to the frame with the 5/8" bolt and star washer and torque to 200 ft. lbs. Re-tighten after first day's use.
- 3) Install the toothed wheel (part number to the outside) and side treader wheel on the hub with the four carriage bolts and flange head nuts. Torque to 60 ft. lbs and re-tighten after first day's use.
- 4) The wheel marked TW3813-L4 is for use on the left side of the frame (as viewed from behind the machine). Repeat for opposite side.



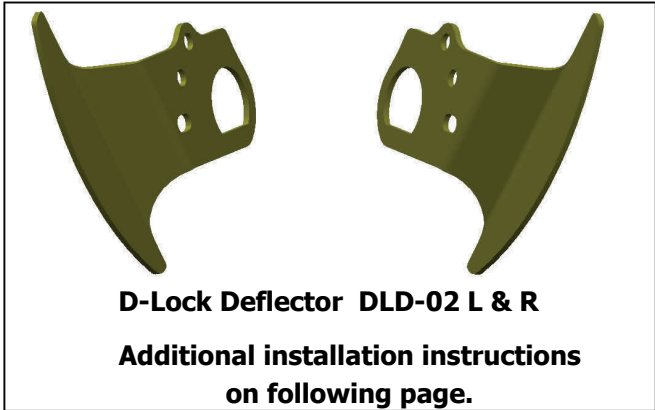
### Hardware Required Per Wheel

1) 3/8" x 1 3/4" Carriage Bolts	Qty 4
2) 3/8" Nuts	Qty 4
3) 5/8" x 1 1/2" Patch Bolt	Qty 1
4) 5/8" Star Washer	Qty 1

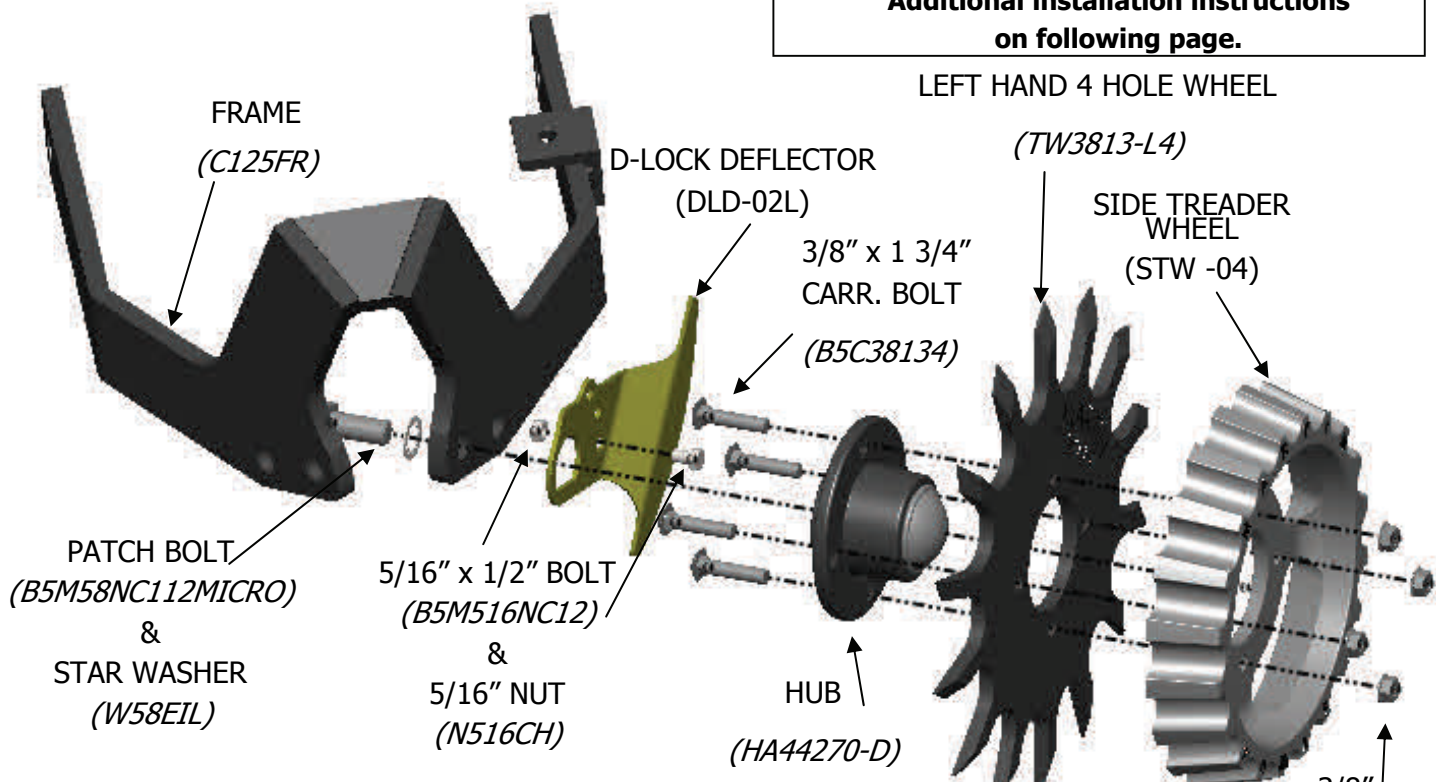
**INSTALLING THE WHEEL ASSEMBLY WITH D-LOCK  
DEFLECTOR (DLD-02) TO THE C125 FRAME**

*The D-Lock deflector is recommended (instead of the D-Lock) when operating in wetter conditions or damp stringy residue to help reduce wrapping.*

- 1) Attach the D-lock deflector (DLD-02L) to the end of the hub axle making sure it is flush with the end of the axle before bolting the axle to the frame.
- 2) Secure the hub to the frame with the 5/8" bolt and star washer and torque to 200 ft. lbs. Re-tighten after first day's use.
- 3) Install the toothed wheel (part number to the outside) and side treader wheel on the hub with the four carriage bolts and flange head nuts. Torque to 60 ft. lbs and re-tighten after first day's use.
- 4) The wheel marked TW3813-L4 is for use on the left side of the frame (as viewed from behind the machine). Repeat for opposite side.



LEFT HAND 4 HOLE WHEEL

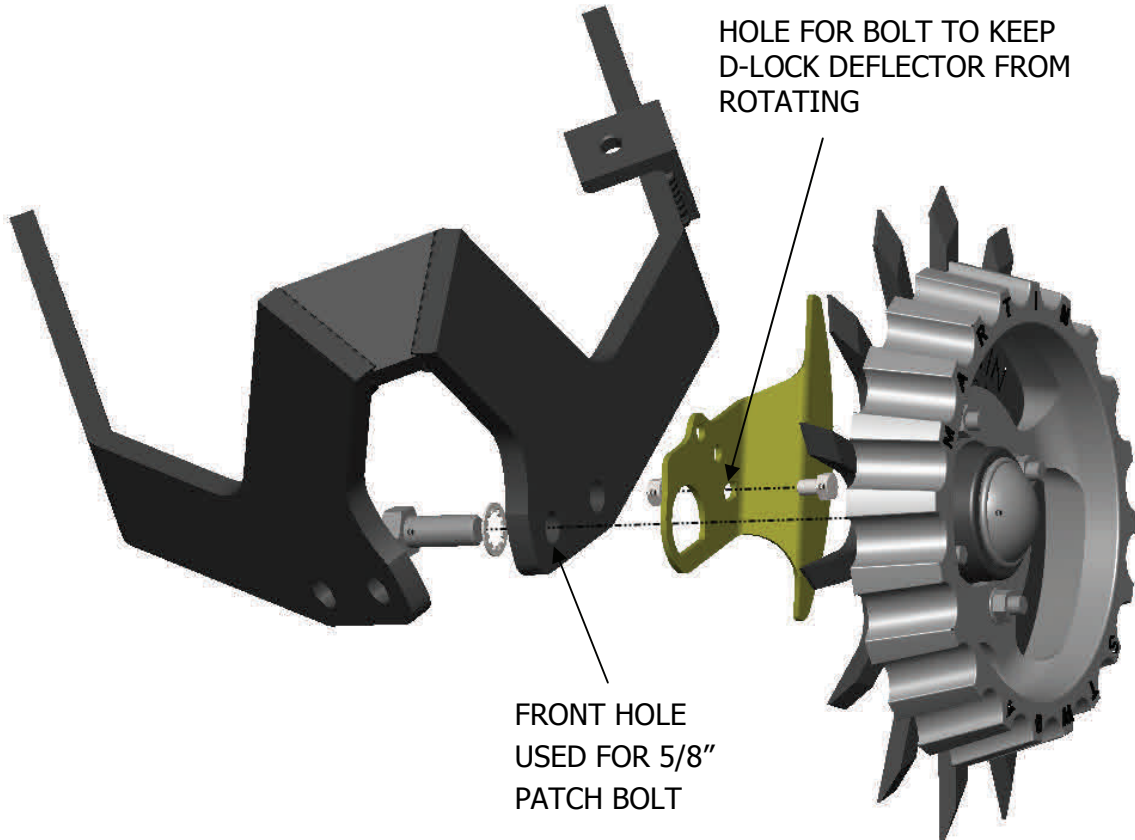


**Hardware Required Per Wheel**

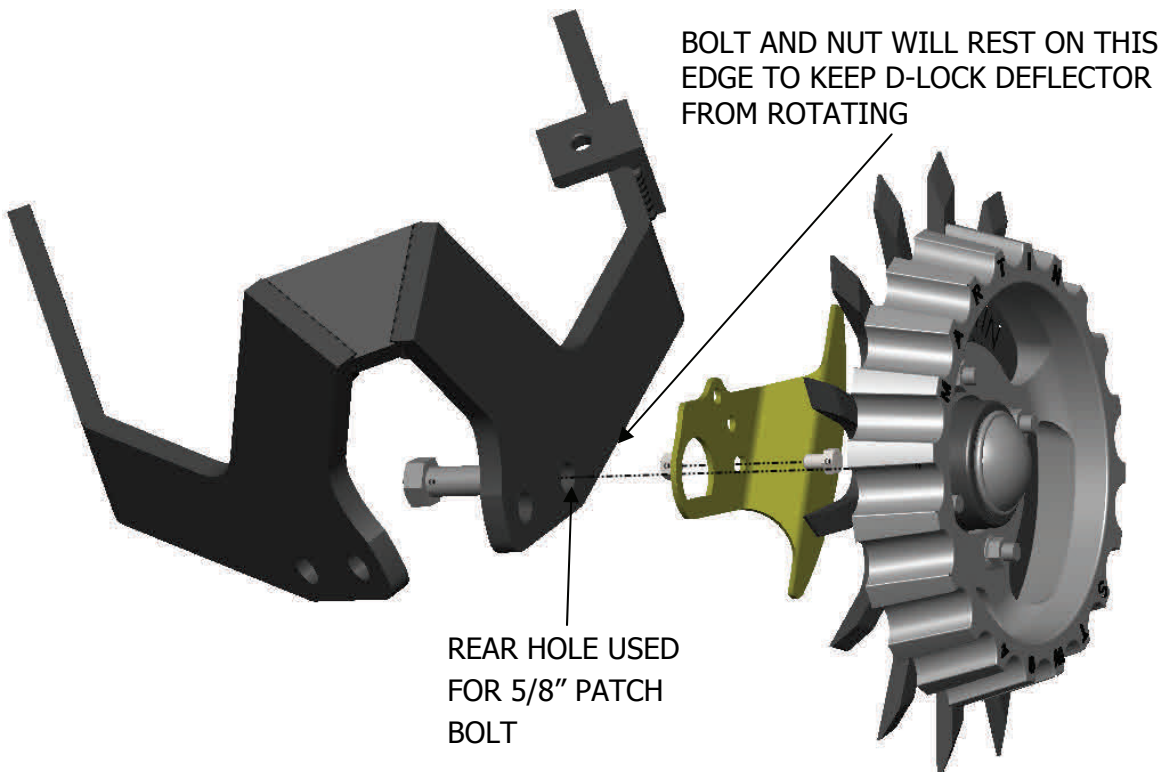
1) 3/8" x 1 3/4" Carriage Bolts	Qty 4	4) 5/8" Star Washer	Qty 1
2) 3/8" Nuts	Qty 4	5) 5/16" x 1/2" Bolt (for DLD-02)	Qty 1
3) 5/8" x 1 1/2" Patch Bolt	Qty 1	6) 5/16" Nut (For DLD-02)	Qty 1

**ATTACHING THE WHEEL WITH D-LOCK DEFLECTOR TO THE  
C125 FRAME FOR DIFFERENT SOIL CONDITIONS**

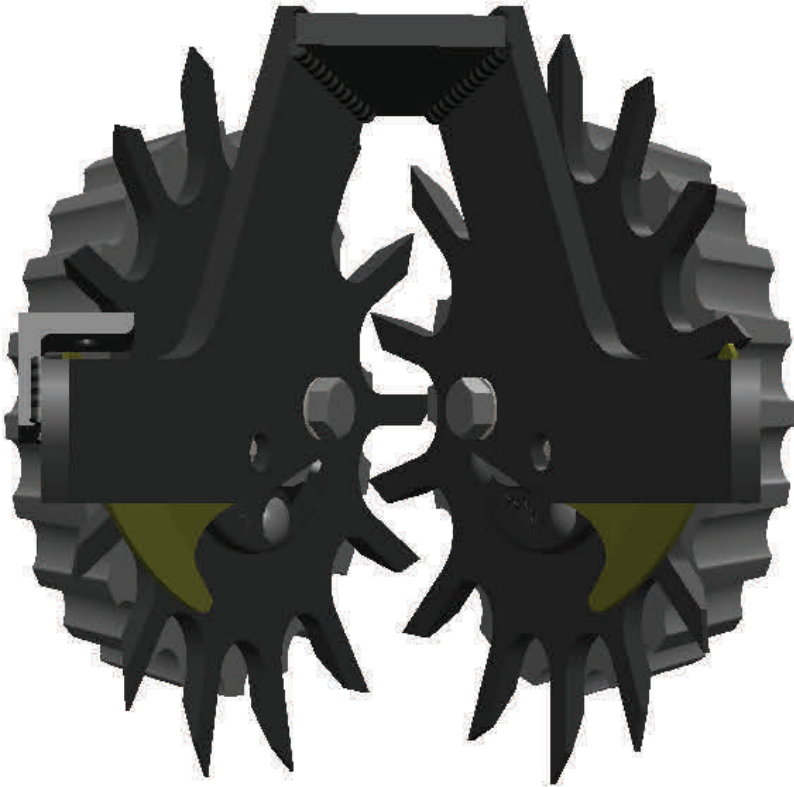
**WHEEL IN FRONT HOLE**



**WHEEL IN REAR HOLE**



**ATTACHING THE WHEEL WITH D-LOCK DEFLECTOR TO THE  
C125 FRAME FOR DIFFERENT SOIL CONDITIONS**

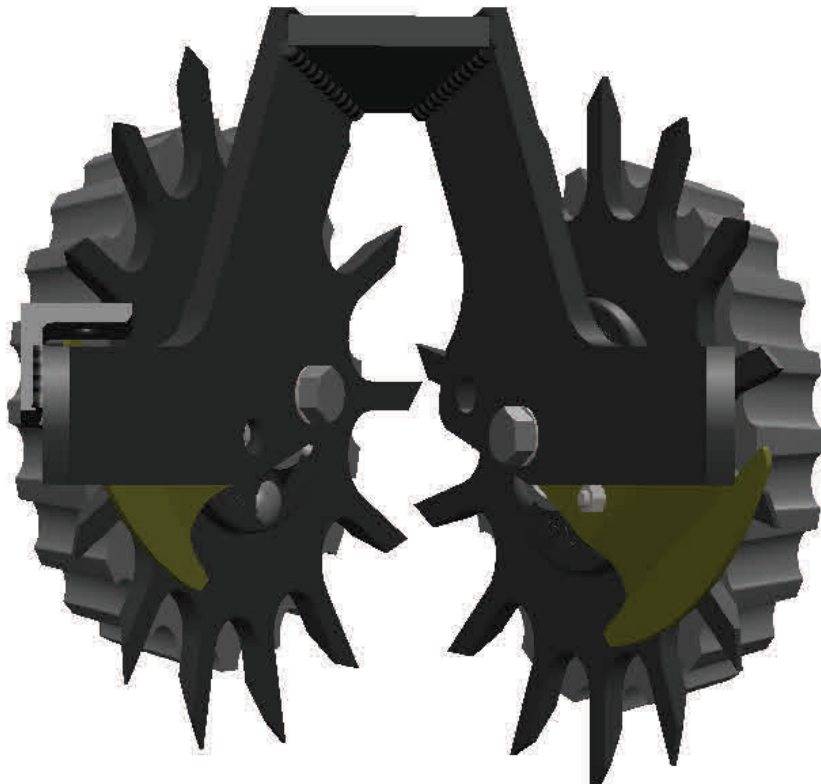


**BOTH WHEELS IN FRONT HOLE**

**Both wheels forward provides maximum cleaning effect and the interlocked wheels till the middle of the seed row.**

**Note: The 5/16" D-Lock deflector bolt fits within the 5/8" patch bolt hole, to prevent rotation of the deflector.**

**LEFT WHEEL IN FRONT HOLE  
RIGHT WHEEL IN REAR HOLE**



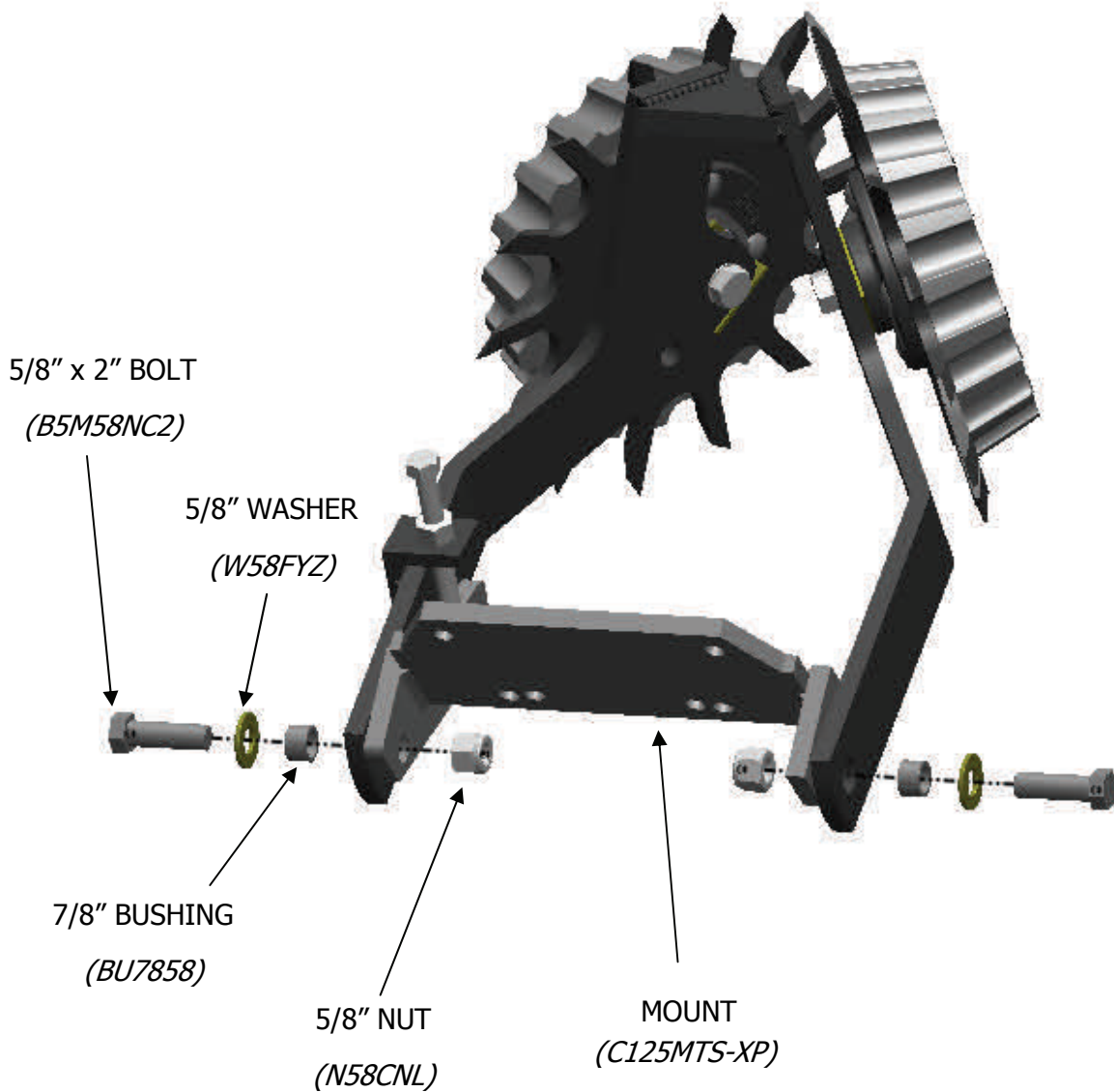
**The staggered configuration allows the toothed wheels to turn more easily in loose soil.**

**With this staggered configuration, we suggest running the left wheels in the rear hole on the left half of the planter and the right wheels in the rear hole on the right half of the planter (when viewed from behind).**

**Note: D-Lock deflector bolt fits up against the frame, when in the rear hole, not within the 5/8" patch bolt hole.**

## ATTACHING THE C125 FRAME ASSEMBLY TO THE C125S-XP MOUNT ASSEMBLY

- 1) Put the flat washer and the bushing on the 5/8" x 2" bolt.
- 2) Align the frame with the holes in the mounting bracket and insert the 5/8" x 2" bolts and secure with the nuts provided as shown in the diagram below. Torque to 150 ft. lbs.
- 3) Check to be sure the frame is not binding on the mounting bracket and is free to float up and down.



### Hardware Required

1) 5/8" x 2" Bolt	Qty 2
2) 5/8" Washer	Qty 2
3) 7/8" Bushing	Qty 2
4) 5/8" Nuts	Qty 2

**Parts list for HA44270-D**

