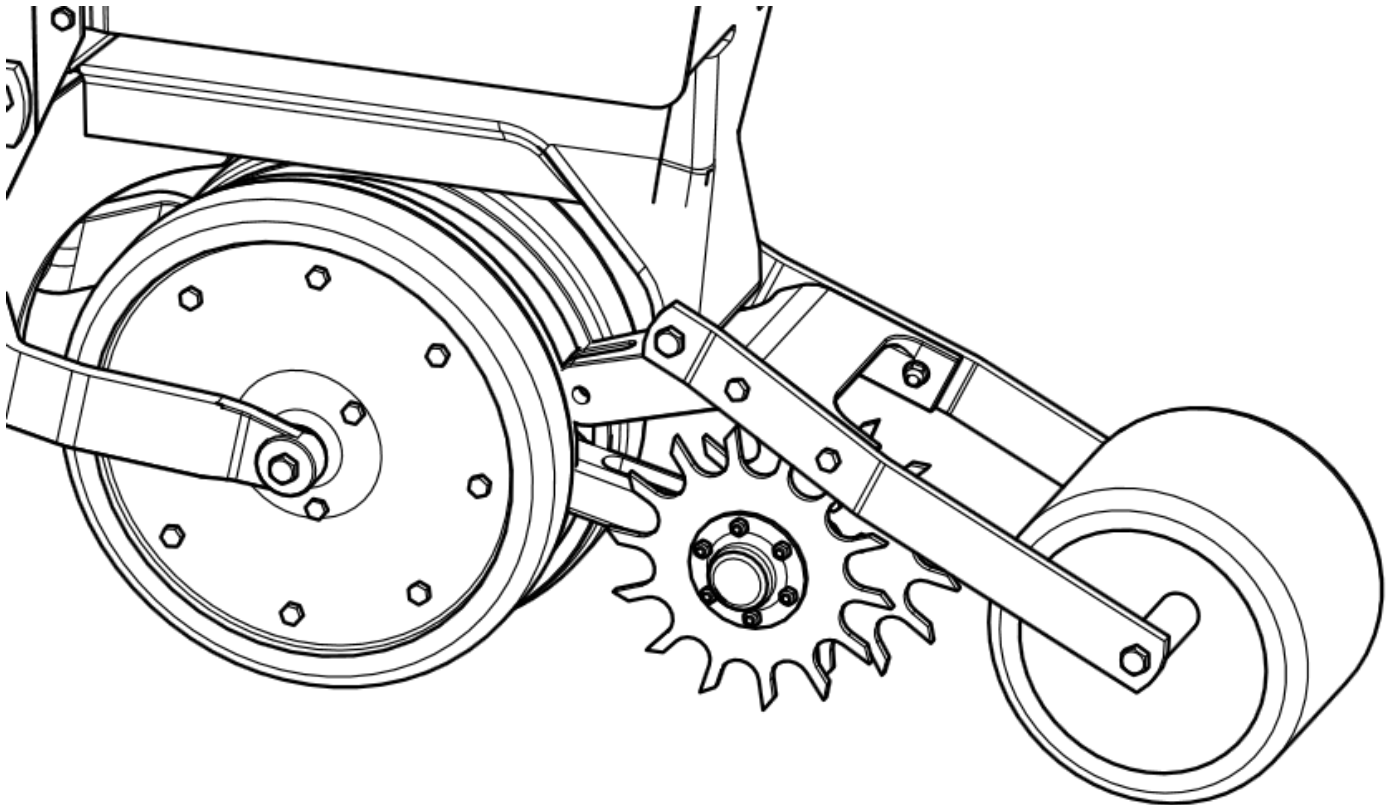


BSCW-899 & 899Z

9" Spading Closing Wheels for CIH, Deere and Kinze shallow closing system

INSTALLATION INSTRUCTIONS



Martin Planter Attachments

Martin Industries LLC

206 Elk Fork Road

Elkton, KY 42220

Telephone: 270-265-5817

E-Mail: martin@martintill.com

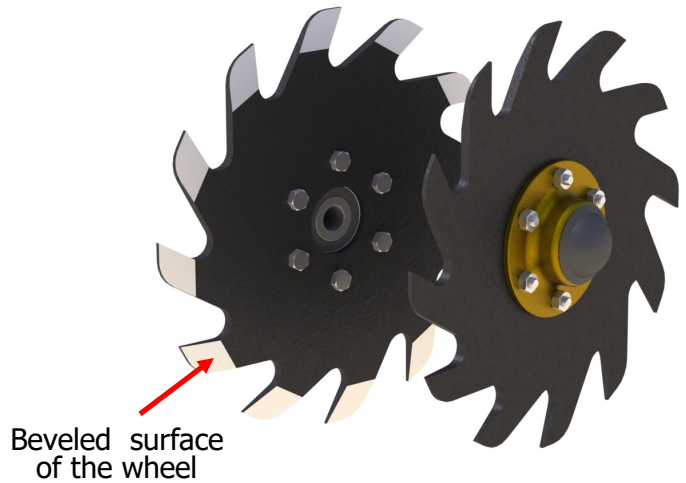
www.martintill.com



Installation Instructions for BSCW-899 to fit Case IH

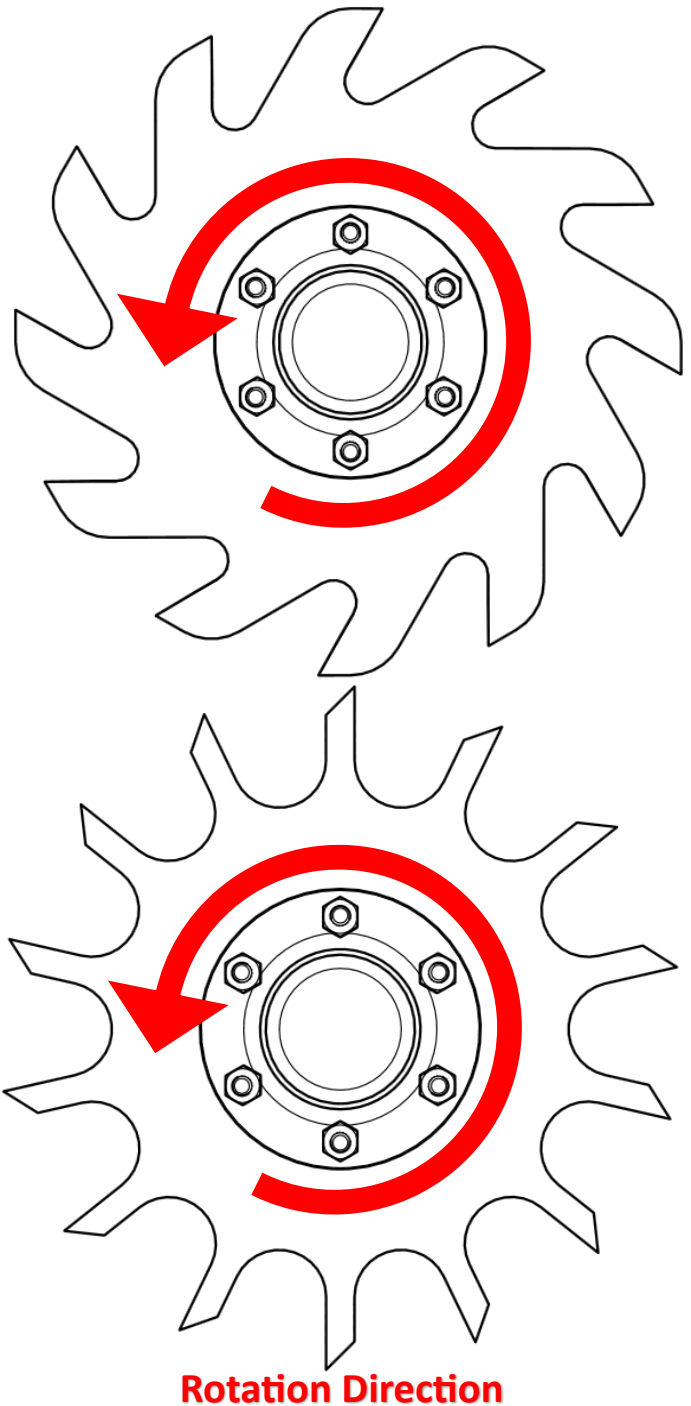
- 1) Remove the existing covering disk. Keep the existing hardware to install Martin Spading Closing Wheel.
- 2) Place the two 5/8" SAE washers (furnished) between the bearing and the mounting bracket on the planter.
- 3) Attach using existing bolt and nut. Be sure rotation direction is as shown in the pictures for both wheels. Flip the wheel if the rotation direction is opposite. For BSCW 899Z, make sure that the beveled side of both wheels are located inside.
- 4) Install the dust cap using a bead of silicone.

Note: Closing wheel pressure may have to be varied to obtain desired results.



Installation Instructions for BSCW-899 to fit Deere & Kinze Shallow Closing System

- 1) Remove existing covering disk
- 2) Install Martin Spading Closing Wheel using the 5/8" x 2 1/2" bolt and lock nut supplied. Head of the bolt should be on the dust cap side with lock nut on outside of arm.
- 3) Place three 5/8" SAE washers (furnished) between bearing and planter arm. Be sure rotation direction is as shown in the pictures for both wheels. Flip the wheel if the rotation direction is opposite. For BSCW 899Z, make sure that the beveled side of both wheels are located inside.
- 4) Install the dust cap using a bead of silicone.
- 5) Adjust angle on wheels so the rear is approximately 1/2" closer than the front.



Hardware Required

- | | |
|------------------------------------|-------|
| 1) 5/8" x 2 1/2" Bolt (B5M58NC212) | Qty 2 |
| 2) 5/8" Lock Nut (N58CNL) | Qty 2 |
| 3) 5/8" Washer (W58FYZ) | Qty 6 |