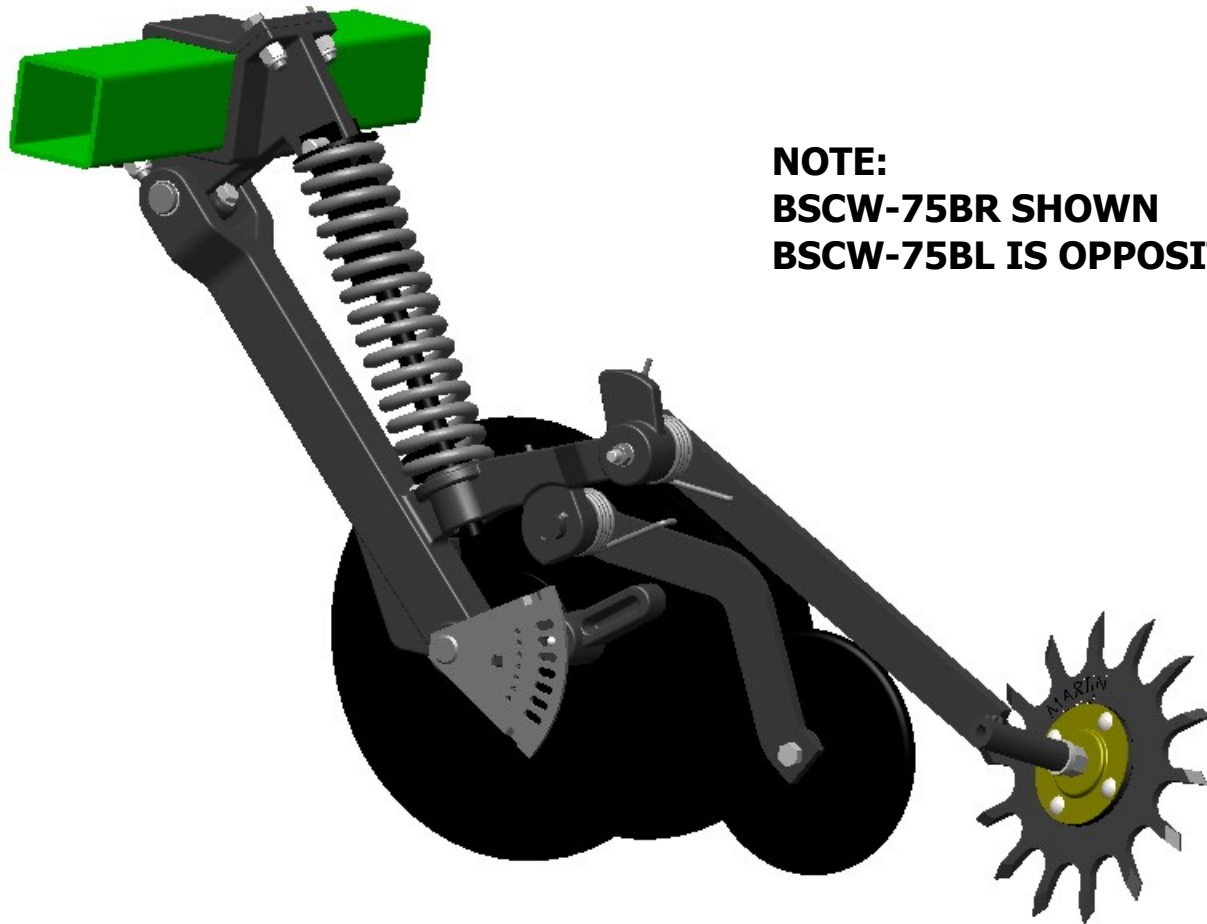


BSCW-75BL or BSCW-75BR

Spading Closing Wheel for Deere 50 Series Drill

Installation Instructions



**NOTE:
BSCW-75BR SHOWN
BSCW-75BL IS OPPOSITE**



Martin Planter Attachments

Martin Industries LLC

206 Elk Fork Road

Elkton, KY 42220

Telephone: 270-265-5817

E-Mail: martin@martintill.com

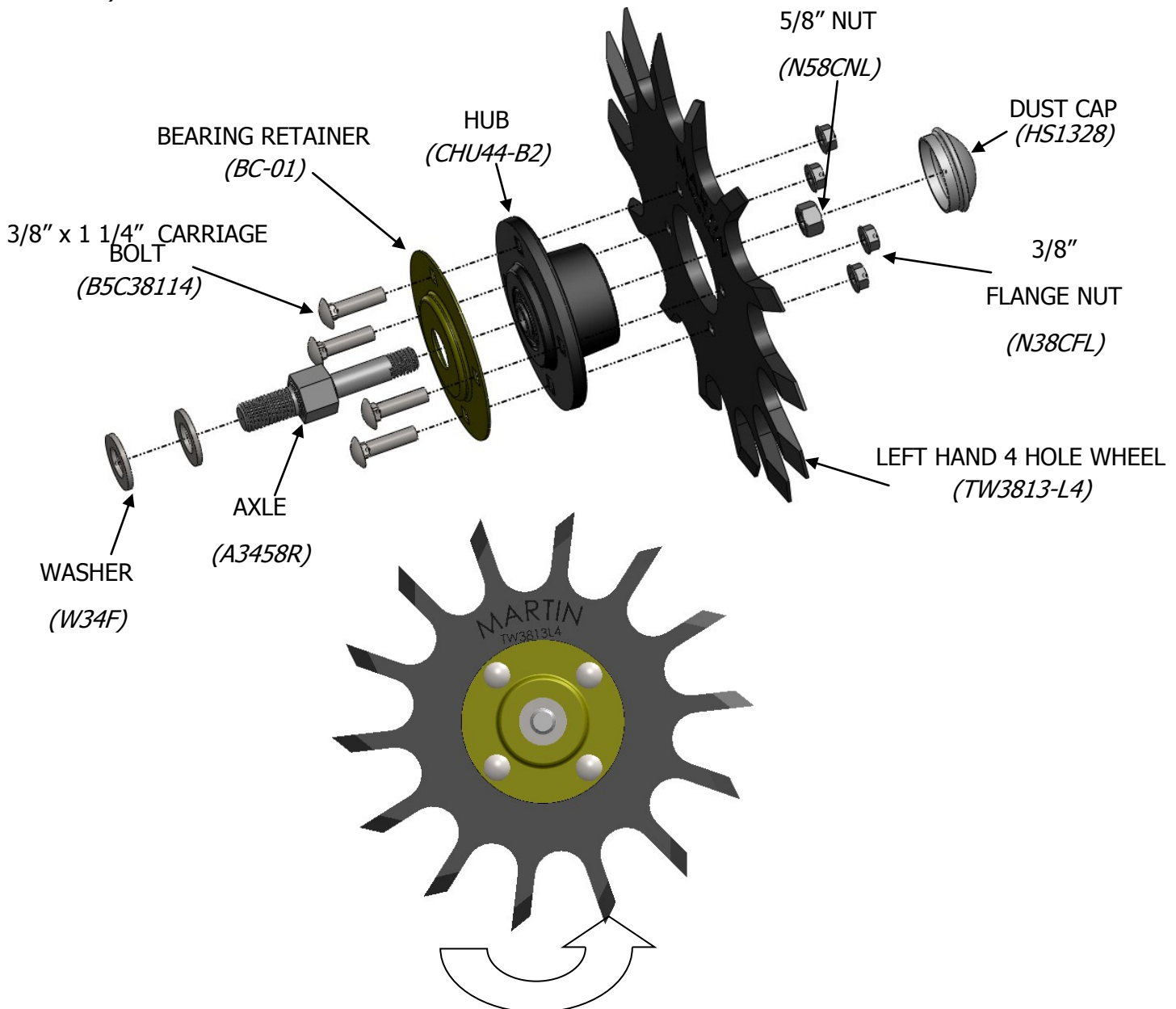
www.martintill.com



INSTRUCTIONS FOR BSCW-75B ASSEMBLY.

- 1) Place the BC-01 Bearing cover onto the A3458R axle (Note: Has right hand threads) as illustrated in the diagram below
- 2) Push the A3458R axle up through the hole in the bearing within the CHU44-B2 hub.
- 3) Add the 5/8" lock nut and torque to 90 ft lb.
- 4) Add the TW3813-L4 wheel to the CHU44-B2 hub assembly, with part number facing the hub, and align the holes in the TW3813-L4 wheel with the holes in the CHU44-B2 hub.
- 5) Insert the four 3/8" 1 1/4" carriage bolts through the holes, thread on the four 3/8" nuts and torque to 35 ft lb.
- 6) Add the HS1328 dust cover.

These instructions are for the right side. Left side will be same except use the A3458L axle (Note: Has left hand threads).



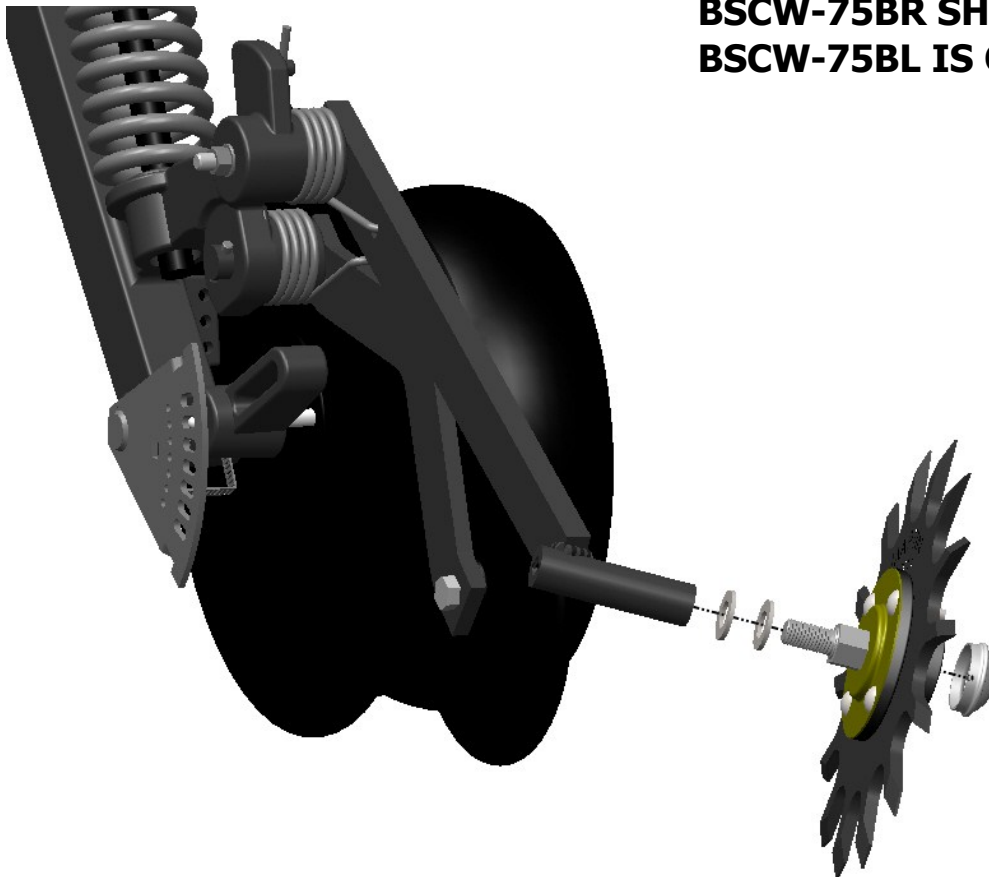
WHEELS ON THE RIGHT OF DRILL (VIEWED FROM BEHIND)
ROTATE COUNTER-CLOCKWISE, WITH THE TAPERED
TEETH EXITING THE SOIL AS ILLUSTRATED ABOVE.

INSTALLING THE 13" SPIKED CLOSING WHEEL ON THE RIGHT SIDE OF THE DRILL (WHEN VIEWED FROM BEHIND)

- 1) Remove existing smooth closing wheel from drill by unthreading axle from closing wheel arm.
- 2) Install the BSCW-75BR on the right side and BSCW-75BL on the left side.
- 3) Add or remove spacers as needed. We have found that 2 spacers are required for most soil conditions.

NOTE:

**BSCW-75BR SHOWN .
BSCW-75BL IS OPPOSITE.**



Hardware Required Per Wheel

- | | |
|--------------------------------|-------|
| 1) 3/8" X 1 1/4" Carriage Bolt | Qty 4 |
| 2) 3/8" Nut | Qty 4 |
| 3) Spacer | Qty 2 |
| 4) 5/8" Lock Nut | Qty 1 |
| 5) A3458R or L | Qty 1 |
| 6) HS1328 | Qty 1 |
| 7) BC-01 | Qty 1 |