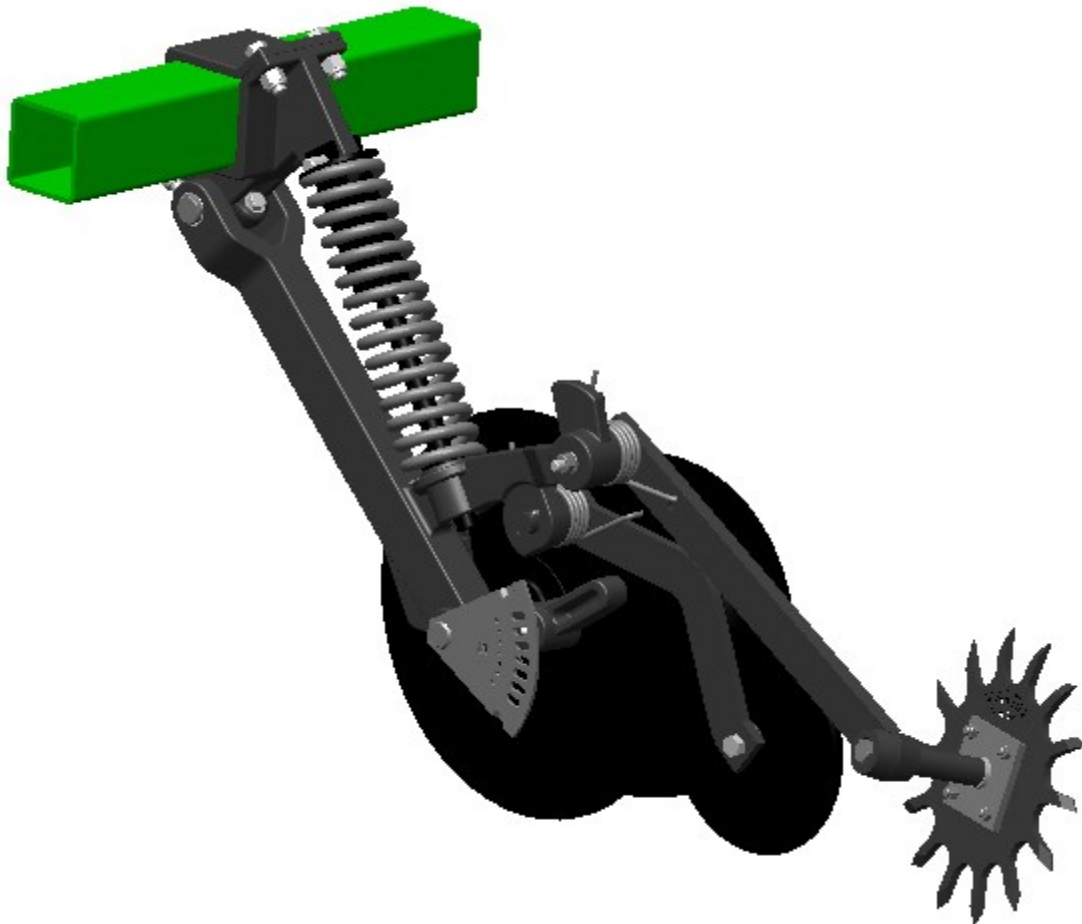


BSCW156

Spading Closing Wheel for Deere 60 Series Drill

Installation Instructions



Martin Planter Attachments

Martin Industries LLC

206 Elk Fork Road

Elkton, KY 42220

Telephone: 270-265-5817

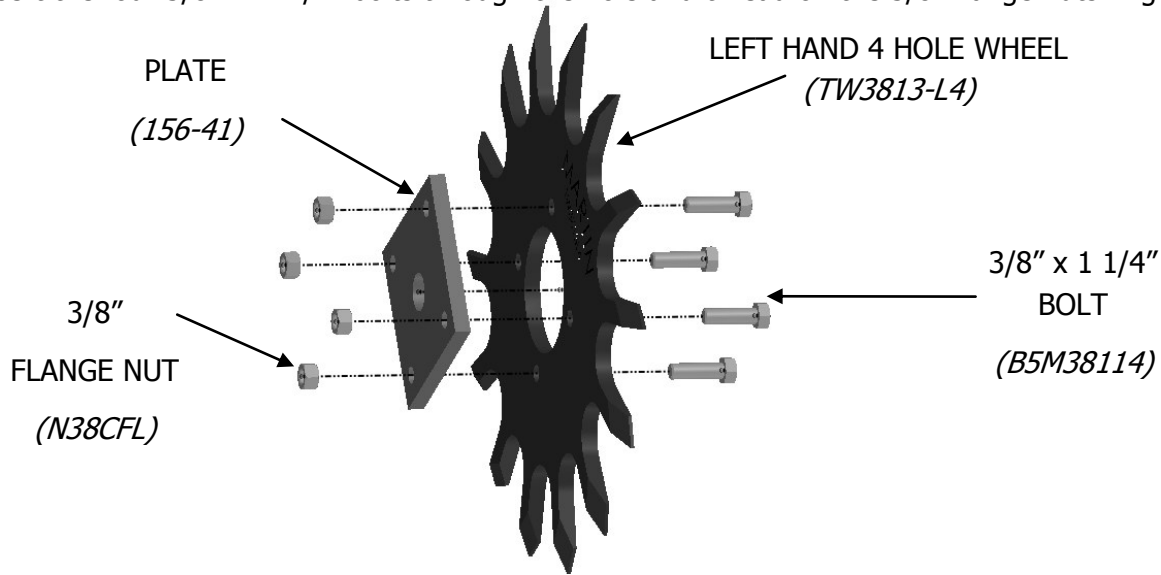
E-Mail: martin@martintill.com

www.martintill.com



INSTRUCTIONS FOR BSCW-156 ASSEMBLY

- 1) Place the 156-41 Mounting Plate up to the TW3813-L4 Wheel, with part number of wheel facing plate.
- 2) Insert the four 3/8" x 1 1/4" bolts through the hole and thread on the 3/8" flange nuts. Tighten.

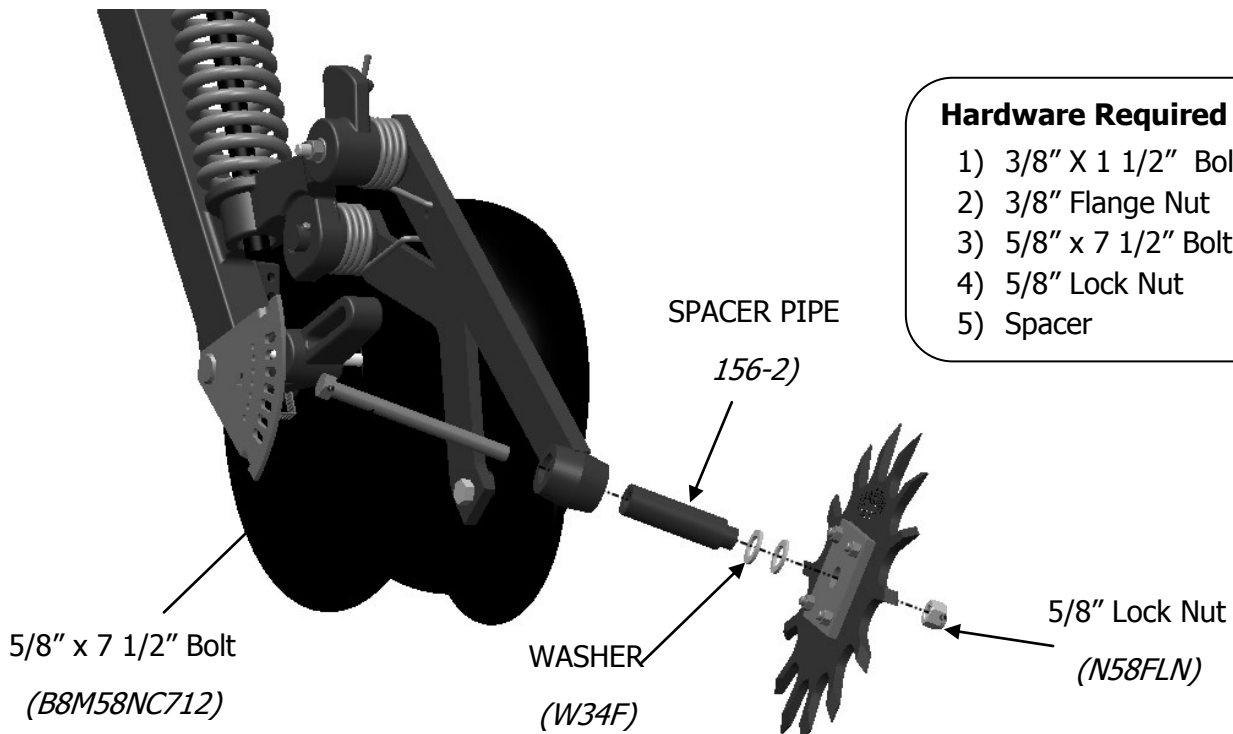


INSTRUCTIONS FOR ASSEMBLING THE BSCW-156 TO THE GRAIN DRILL

- 1) Add spacers to the small end of the SCW156-2 Shaft (**Note: The spacers are for adjustment. They can be applied to either side of the 156-41 Mounting plate**)
- 2) Insert the 156-2 Shaft through the hole in the 156-41 Mounting Plate.
- 3) Insert the 5/8" x 7 1/2" bolt through the bearing in the Grain Drill.
- 4) Slide the SCW156 Wheel Assembly onto the 5/8" x 7 1/2" Bolt.
- 5) Thread on the 5/8" Lock Nut and tighten. **Do not use impact wrench.**

NOTE:

(BSCW-156 WITH THE TW3813-L4 WHEEL AS SHOWN IN THE ILLUSTRATION IS FOR THE RIGHT SIDE. BSCW 156 WITH THE TW3813-R4 WHEEL IS FOR THE LEFT SIDE.)



Hardware Required Per Wheel

- | | |
|-----------------------|-------|
| 1) 3/8" X 1 1/2" Bolt | Qty 4 |
| 2) 3/8" Flange Nut | Qty 4 |
| 3) 5/8" x 7 1/2" Bolt | Qty 1 |
| 4) 5/8" Lock Nut | Qty 1 |
| 5) Spacer | Qty 2 |