

BDD 1360

**1360 ROW CLEANER with DD MOUNT (for Deere 7200 and Later
with Unit Mounted Double Disk Fertilizer Opener)**

Installation Instructions



**SHOWN WITH OPTIONAL SIDE
TREADER WHEELS**

(STW-04)



Martin Planter Attachments

Martin Industries LLC

206 Elk Fork Road

Elkton, KY 42220

Telephone: 270-265-5817

E-Mail: martin@martintill.com

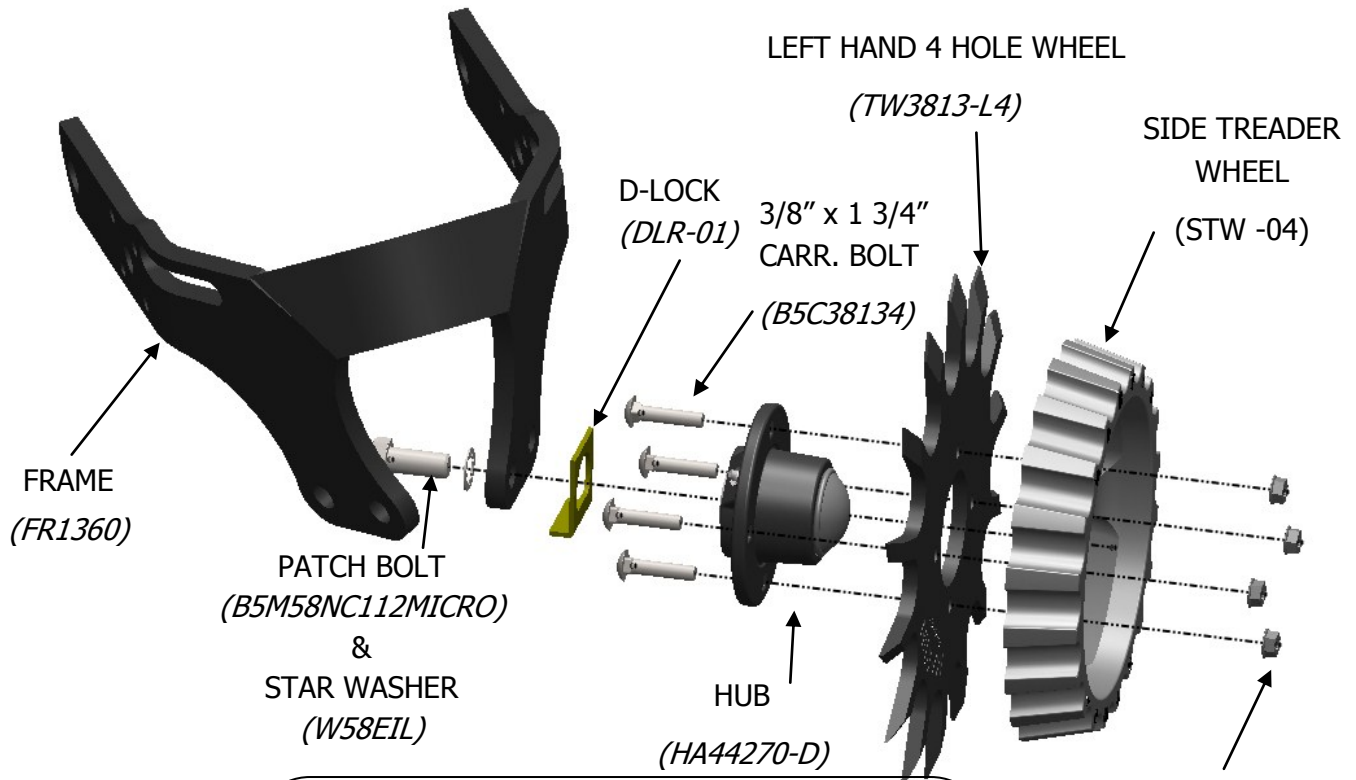
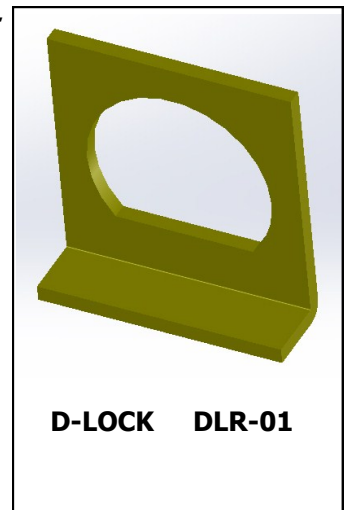
www.martintill.com



INSTALLING THE WHEEL ASSEMBLY WITH D-LOCK TO THE 1360 FRAME

Either the D-Lock (illustrated right) or the D-Lock deflector (illustrated on following page) must be installed to allow the 5/8" patch bolt to tighten without the hub rotating. The D-Lock is recommended when working in corn stalks, conventional tillage, minimum tillage or strip till.

- 1) Attach the D-lock to the end of the hub axle making sure it is flush with the end of the axle before bolting the axle to the frame.
- 2) Secure the hub to the frame with the 5/8" bolt and star washer and torque to 200 ft. lbs. Re-tighten after first day's use.
- 3) Install the toothed wheel (part number to the outside) and side treader wheel on the hub with the four carriage bolts and flange head nuts. Torque to 60 ft. lbs and re-tighten after first day's use.
- 4) The wheel marked TW3813-L4 is for use on the left side of the frame (as viewed from behind the machine). Repeat for opposite side.



Hardware Required Per Wheel	
1) 3/8" x 1 3/4" Carriage Bolts	Qty 4
2) 3/8" Nuts	Qty 4
3) 5/8" x 1 1/2" Patch Bolt	Qty 1
4) 5/8" Star Washer	Qty 1

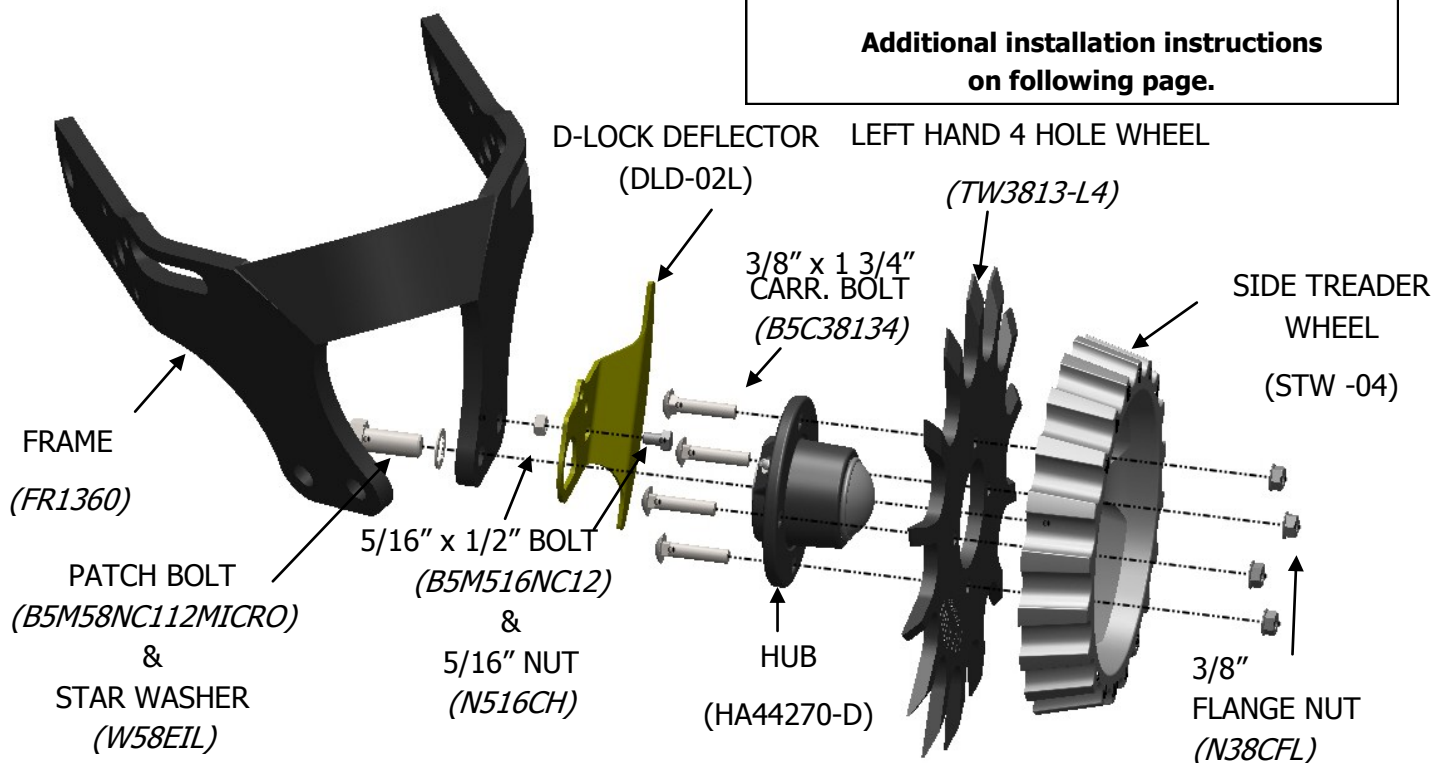
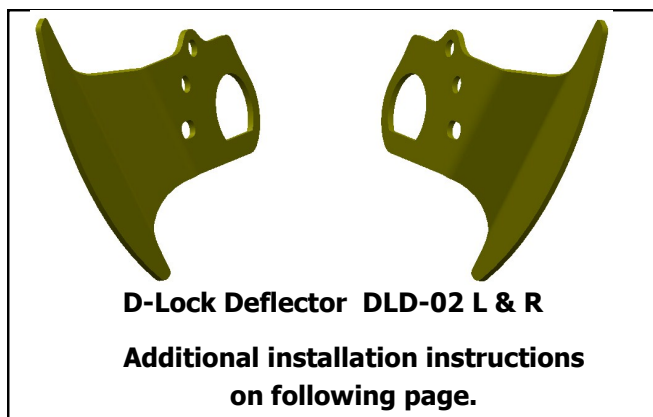
3/8"
FLANGE NUT
(N38CFL)

INSTALLING THE WHEEL ASSEMBLY WITH D-LOCK

DEFLECTOR (DLD-02) TO THE 1360 FRAME

The D-Lock deflector is recommended (instead of the D-Lock) when operating in wetter conditions or damp stringy residue to help reduce wrapping.

- 1) Attach the D-lock deflector (DLD-02L) to the end of the hub axle making sure it is flush with the end of the axle before bolting the axle to the frame.
- 2) Secure the hub to the frame with the 5/8" bolt and star washer and torque to 200 ft. lbs. Re-tighten after first day's use.
- 3) Install the toothed wheel (part number to the outside) and side treader wheel on the hub with the four carriage bolts and flange head nuts. Torque to 60 ft. lbs. Re-tighten after first day's use.
- 4) The wheel marked TW3813-L4 is for use on the left side of the frame (as viewed from behind the machine). Repeat for opposite side.

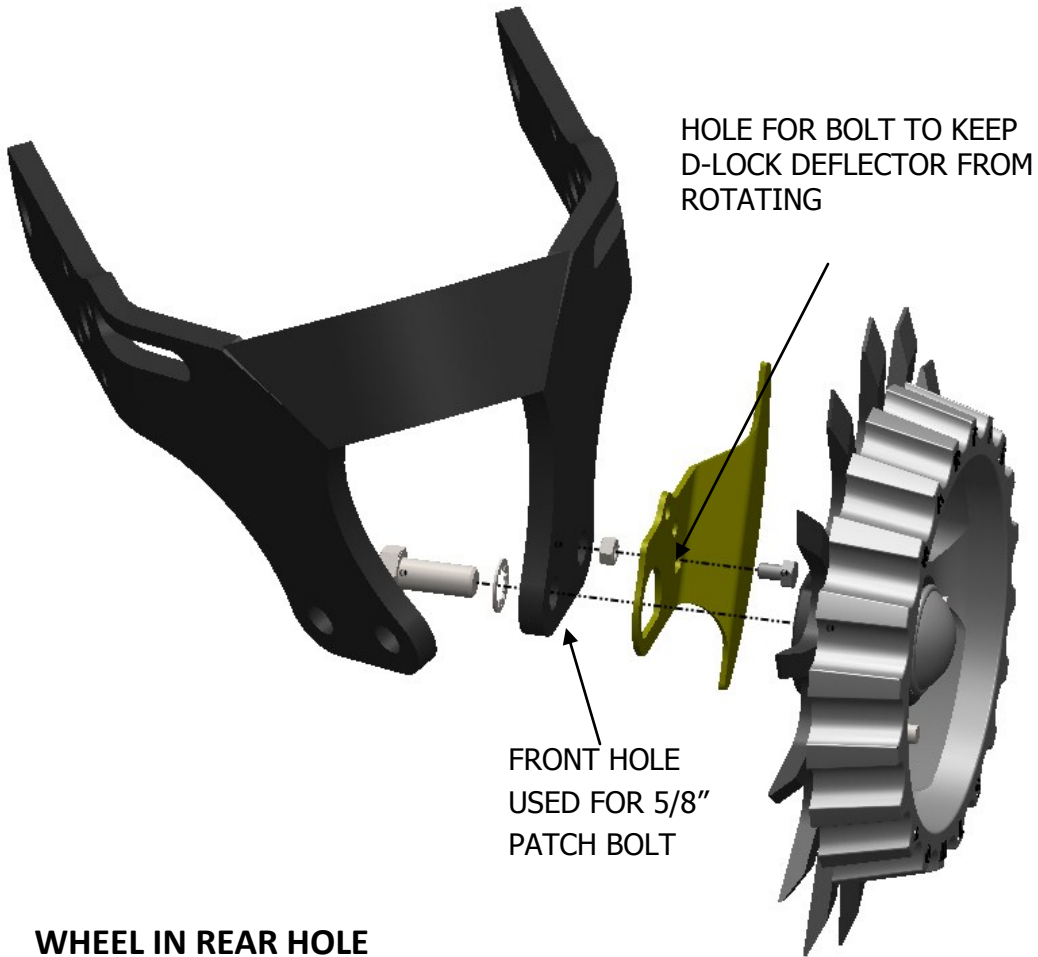


Hardware Required Per Wheel

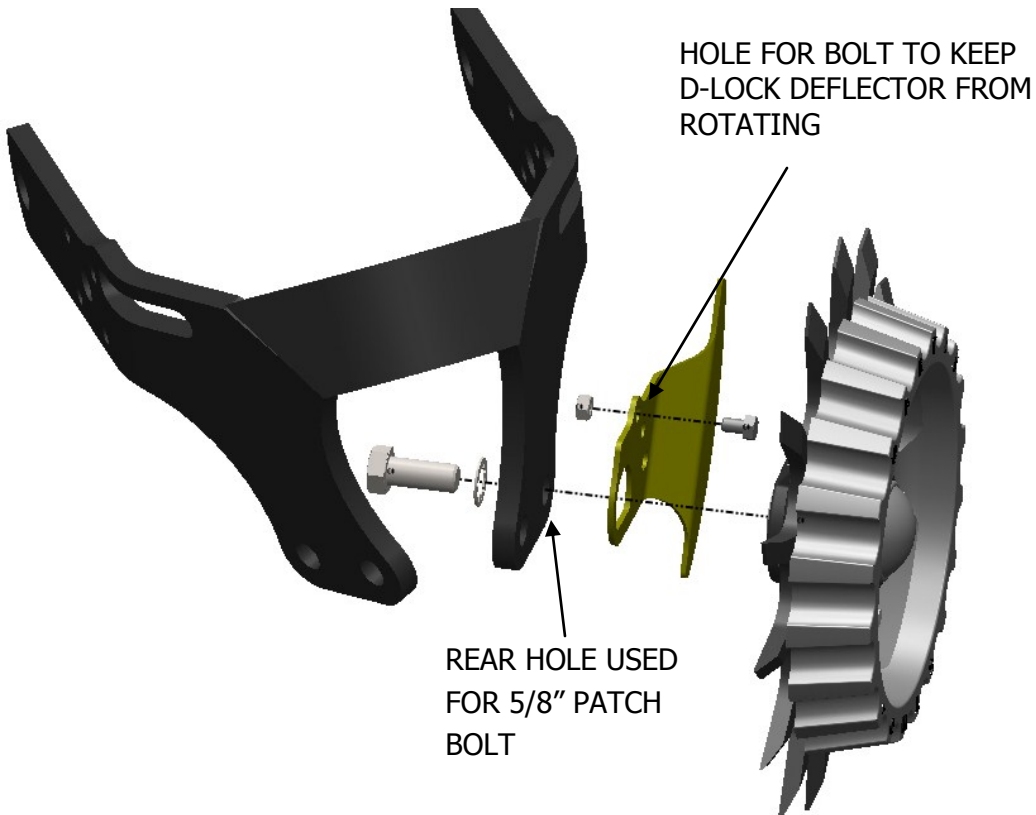
1) 3/8" x 1 3/4" Carriage Bolts	Qty 4	4) 5/8" Star Washer	Qty 1
2) 3/8" Nuts	Qty 4	5) 5/16" x 1/2" Bolt (for DLD-02)	Qty 1
3) 5/8" x 1 1/2" Patch Bolt	Qty 1	6) 5/16" Nut (For DLD-02)	Qty 1

**ATTACHING THE WHEEL WITH D-LOCK DEFLECTOR TO THE
FR1360 FRAME FOR DIFFERENT SOIL CONDITIONS**

WHEEL IN FRONT HOLE



WHEEL IN REAR HOLE



**ATTACHING THE WHEEL WITH D-LOCK DEFLECTOR TO THE
FR1360 FRAME FOR DIFFERENT SOIL CONDITIONS**

BOTH WHEELS IN FRONT HOLE



Both wheels forward provides maximum cleaning effect and the interlocked wheels till the middle of the seed row.

Note: The 5/16" D-Lock deflector bolt fits within the 5/8" patch bolt hole, to prevent rotation of the deflector.

LEFT WHEEL IN FRONT HOLE

RIGHT WHEEL IN REAR HOLE



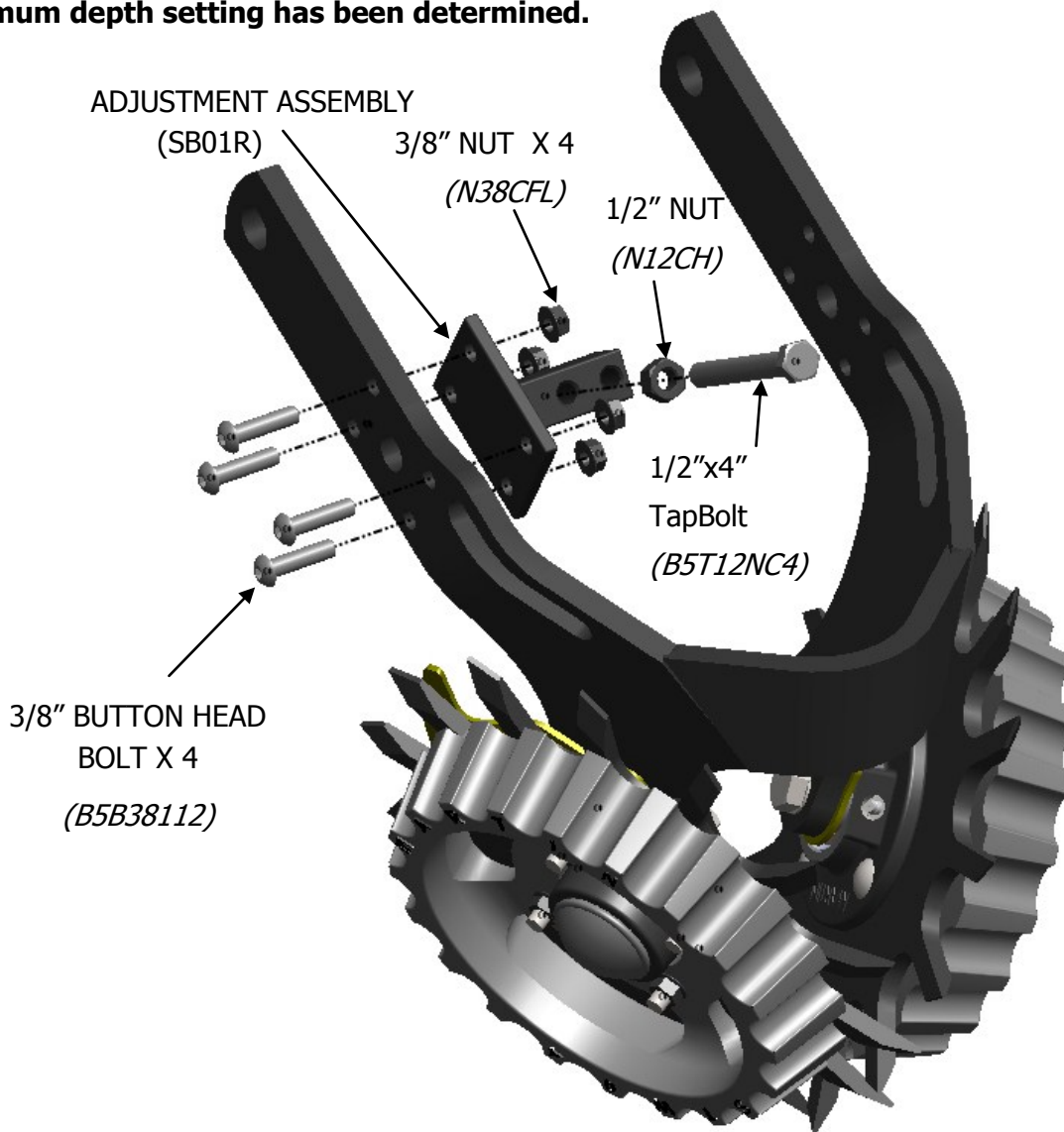
The staggered configuration allows the toothed wheels to turn more easily in loose soil.

With this staggered configuration, we suggest running the left wheels in the rear hole on the left half of the planter and the right wheels in the rear hole on the right half of the planter (when viewed from behind).

Note: D-Lock deflector bolt fits up against the frame, when in the rear hole, not within the 5/8" patch bolt hole.

INSTALLING THREADED ADJUSTMENT ASSEMBLY

1. Place the adjustment assembly against the frame as shown in diagram below.
2. Secure the adjustment assembly to the frame using the four button head bolts and nuts provided. Torque to 60 ft. lbs.
3. Put the 1/2" nut on the 1/2" x 4" bolt and thread the bolt into the tapped hole of the adjustment assembly. Use the 1/2" nut to lock the 4" adjustment bolt in place once the desired minimum depth setting has been determined.

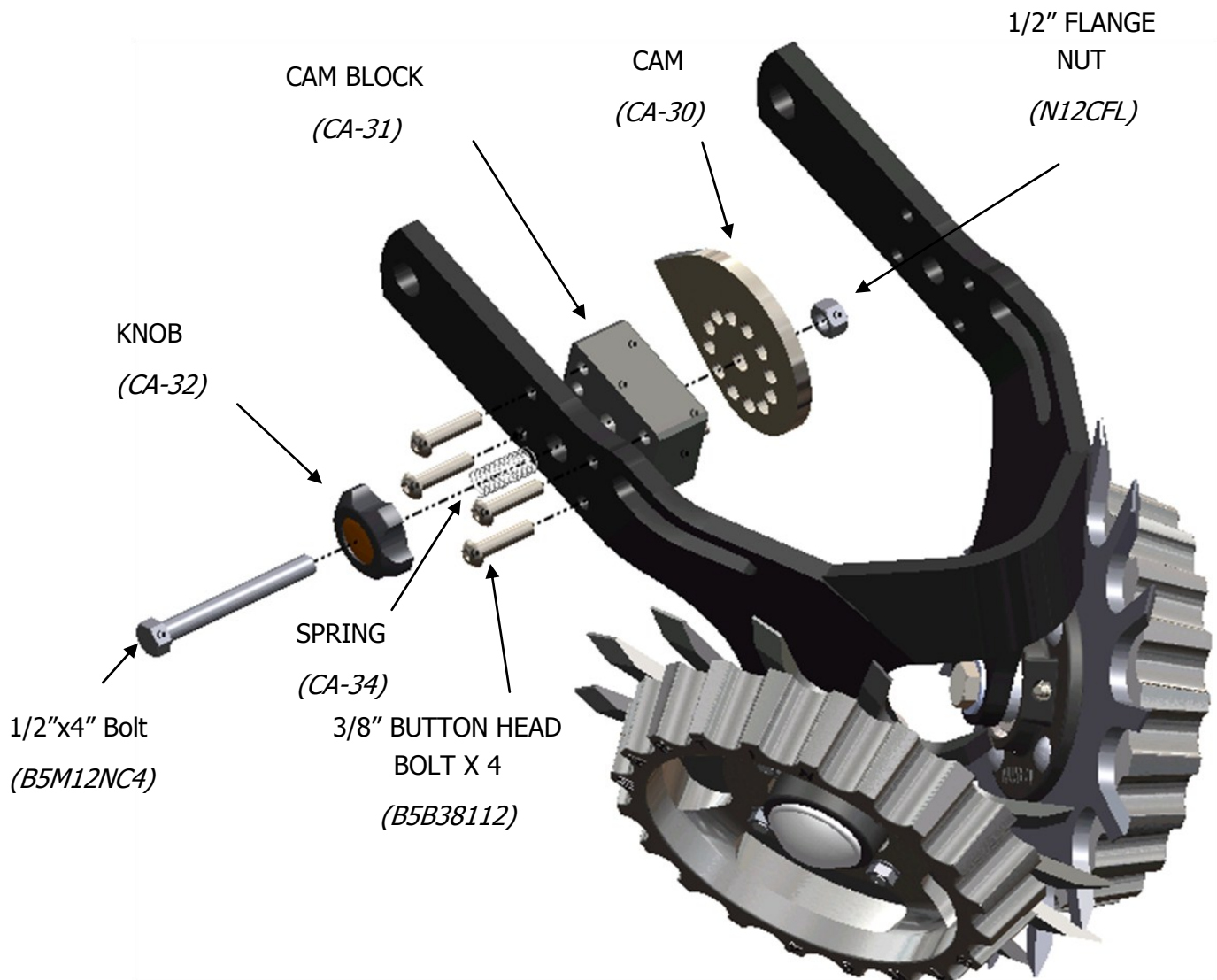


Hardware Required

- | | |
|------------------------|-------|
| 1) 3/8" x 1 1/2" Bolts | Qty 4 |
| 2) 3/8" Nuts | Qty 4 |
| 3) 1/2" x 4" Bolt | Qty 1 |

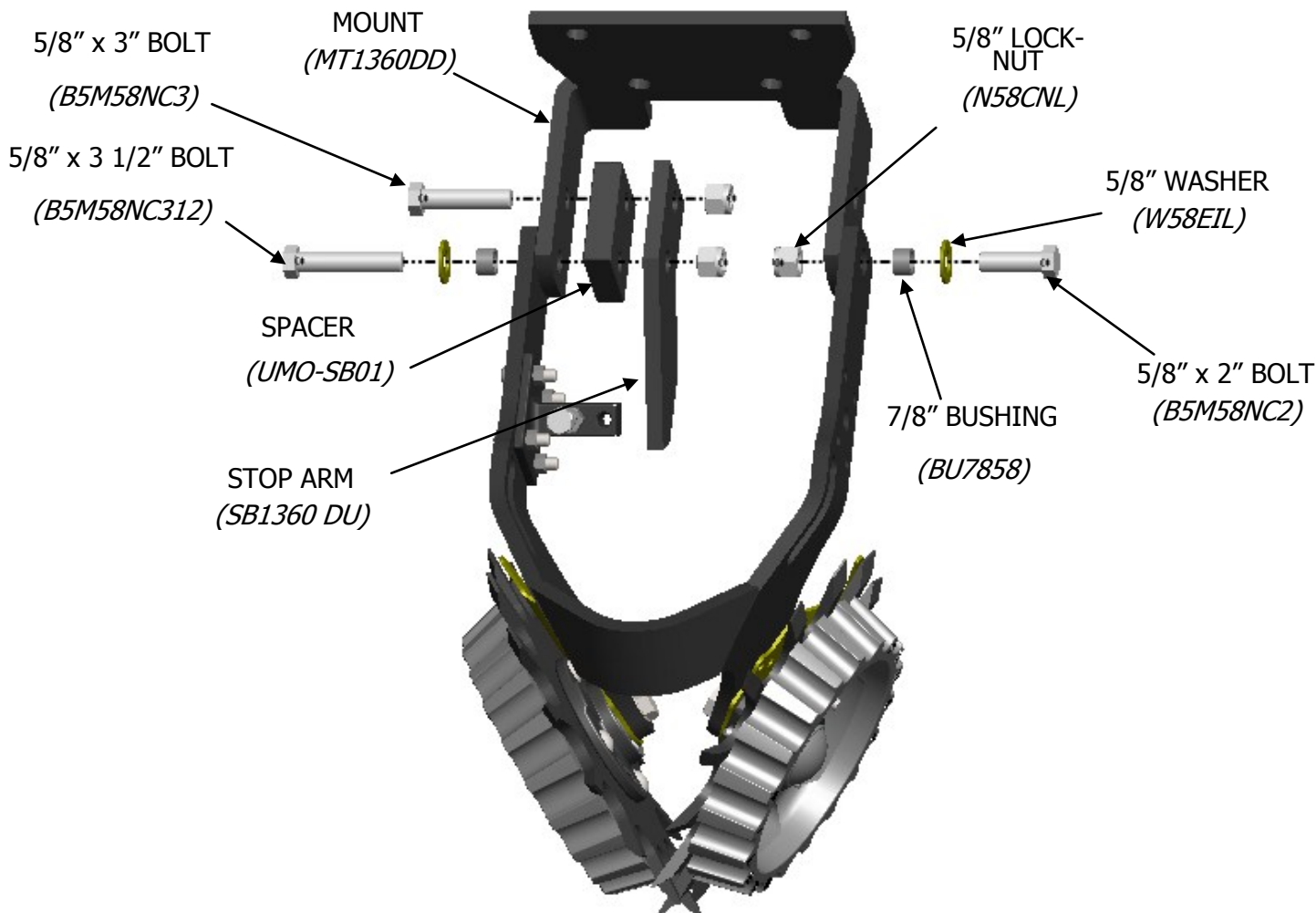
INSTALLING THE OPTIONAL CAM ADJUST ASSEMBLY

- 1) Mount the cam block to the frame using the four 3/8" button head bolts, with notch to bottom and rear, torque to 60 ft. lbs.
- 2) Slide the 1/2" x 4" bolt through the knob, spring and support block and thread it into the cam.
- 3) Tighten the bolt until the cam is directly adjacent the support block but still loose enough to be disengaged from the pin by pushing on the knob.
- 4) Install the 1/2" nut on the end of the bolt and tighten securely against the cam.



ATTACHING THE 1360 FRAME ASSEMBLY TO THE MT1360DD MOUNT ASSEMBLY

- 1) Align the UMO SB01 and SB1360DU with the holes in the MT1360DD Mount and insert the 5/8" x 3" bolt through the hole as shown below. Add nut and secure loosely.
- 2) Place the washer and bushing on the 5/8" x 2" bolt. Repeat process for the 5/8" x 3 1/2" bolt.
- 3) Align the holes in the mount and the frame assembly. Insert the 5/8" x 3 1/2" bolt and the 5/8" x 2" bolt and tighten as shown below.
- 4) Torque the three 5/8" nuts to 150ft. lbs.
- 5) Check to be sure the frame is not binding on the mounting bracket and is free to float up and down.



Hardware Required

1) 5/8" x 2" Bolt	Qty 1
2) 5/8" x 3" Bolt	Qty1
3) 5/8" x 3 1/2" Bolt	Qty1
4) 5/8" Washer	Qty 2
5) 7/8" Bushing	Qty 2

Parts list for HA44270-D

