

# ***BD1345 / BKW1360***

***INSTALLATION SHOWN WITH MT-1360DS***

---

## **1345 NARROW ROW CLEANER INSTALLATION INSTRUCTIONS**



**SHOWN WITH OPTIONAL SIDE TREADER  
WHEELS (*STW-04*)**



### **Martin Planter Attachments**

**Martin Industries LLC**

206 Elk Fork Road

Elkton, KY 42220

Telephone: 270-265-5817

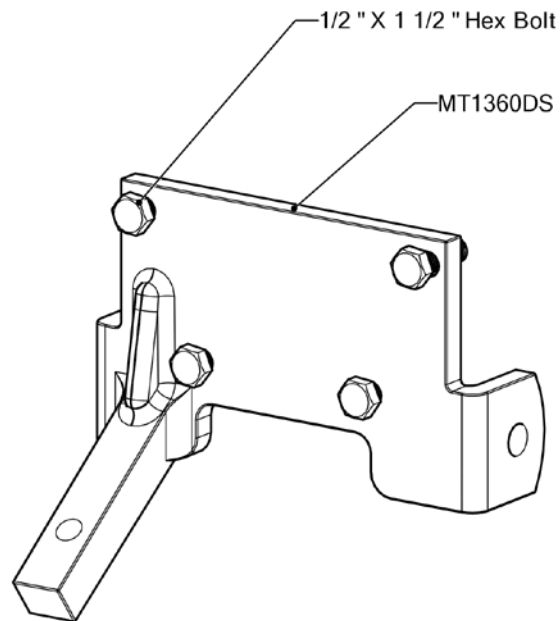
E-Mail: [martin@martintill.com](mailto:martin@martintill.com)

[www.martintill.com](http://www.martintill.com)

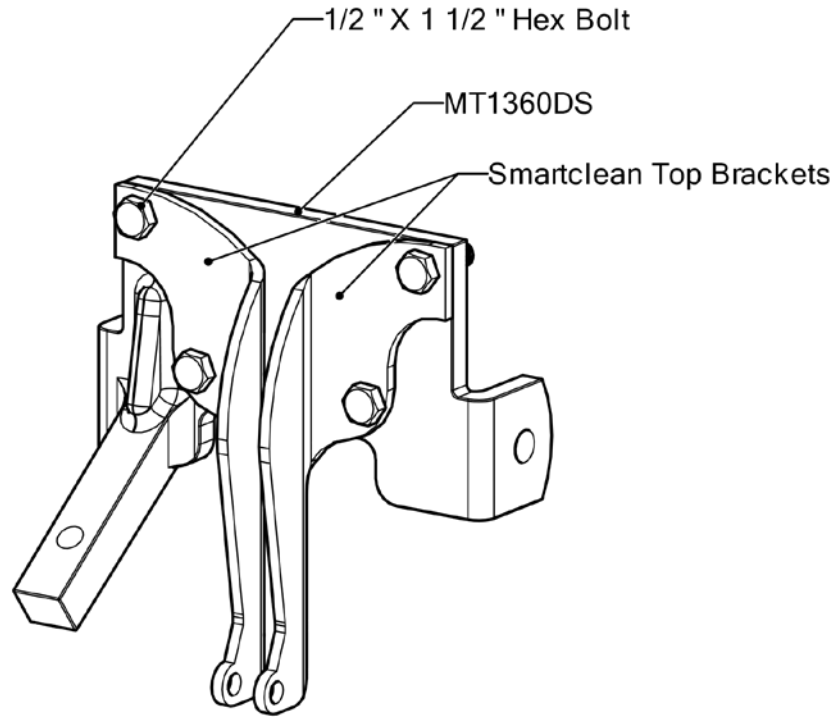


## **STEP 1 : ATTACH THE MOUNT TO THE PLANTER**

Using four 1/2" X 1 1/2" bolts, attach the mount to the planter face plate, and torque mounting nuts to 57 ft-lbs.

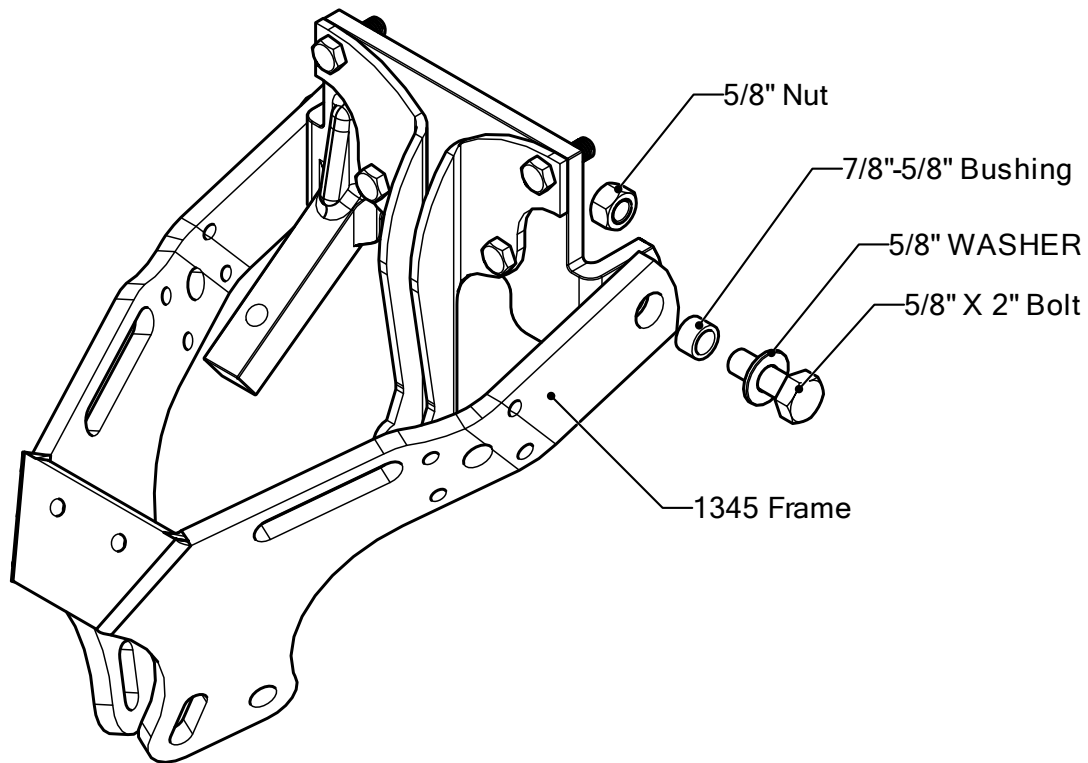


If you purchased the optional SmartClean System, Install the SmartClean cylinder top brackets on the mount as shown in the picture.



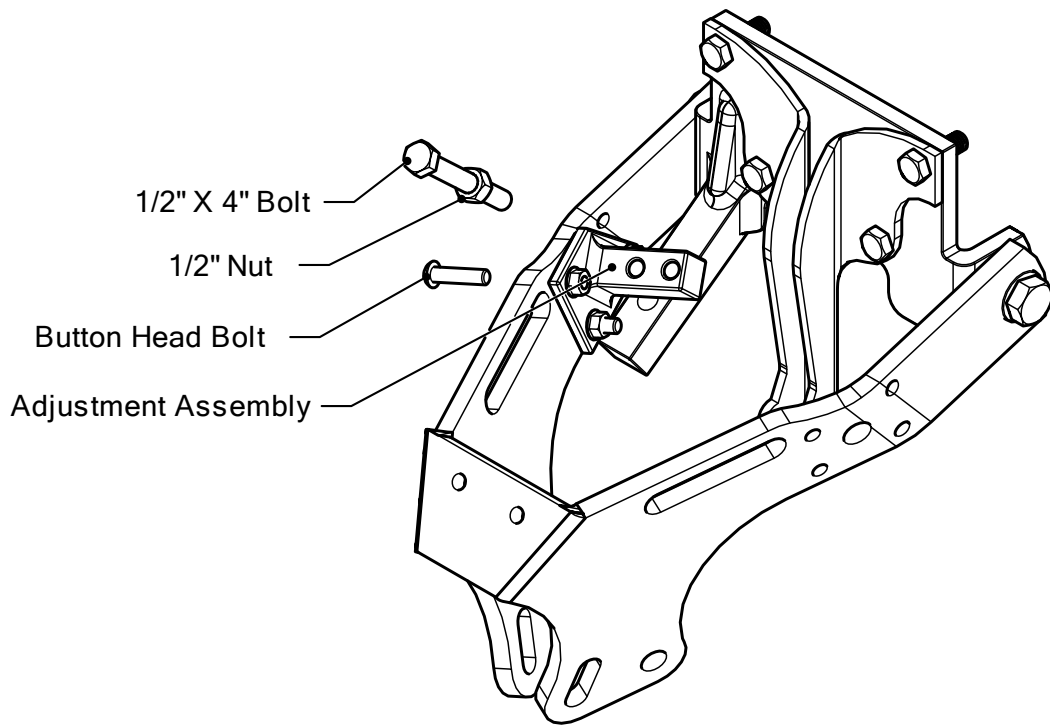
## **STEP 2 : ATTACH 1345 FRAME ASSEMBLY TO THE MOUNT**

1. Place the washer and bushing (BU7858) on the 5/8" x 2" bolt.
2. Align the holes in the mount and the frame assembly. Insert the 5/8" x 2" bolts from the outside. Tighten the bolts to 112 ft-lbs. Check after first day of use.
3. Check to ensure the frame is not binding on the mounting bracket and is free to float up and down.



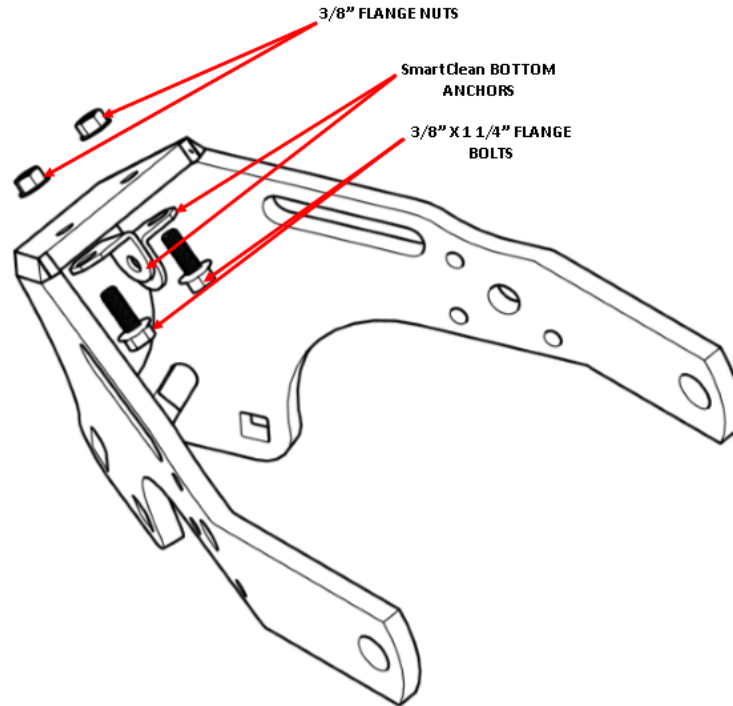
### **STEP 3 : INSTALL ADJUSTMENT ASSEMBLY**

1. Place the adjustment assembly against the frame as shown in diagram below.
2. Secure the adjustment assembly to the frame using the three button head screws and nuts provided.
3. Put the 1/2" nut on the 1/2" x 4" bolt and thread the bolt into the tapped hole of the adjustment assembly. Use the 1/2" nut to lock the 4" adjustment bolt in place, once the desired minimum depth setting has been determined.



#### **STEP 4: INSTALL SMART CLEAN CYLINDER BOTTOM ANCHOR**

1. Place the Smartclean bottom anchor against the frame as shown in diagram below.
2. Secure the Smartclean bottom anchor to the frame using the two screws and nuts provided.



## **STEP 5 : DETERMINE THE BEST WHEEL CONFIGURATION FOR YOUR SOIL CONDITIONS**

### **OPTION A: INTERSECTED**

(Both wheels in front hole)

Both wheels forward provides maximum cleaning effect. The interlocked wheels till the middle of the seed row.

### **OPTION B: OFFSET**

(Left wheel in front hole and right wheel in rear hole)

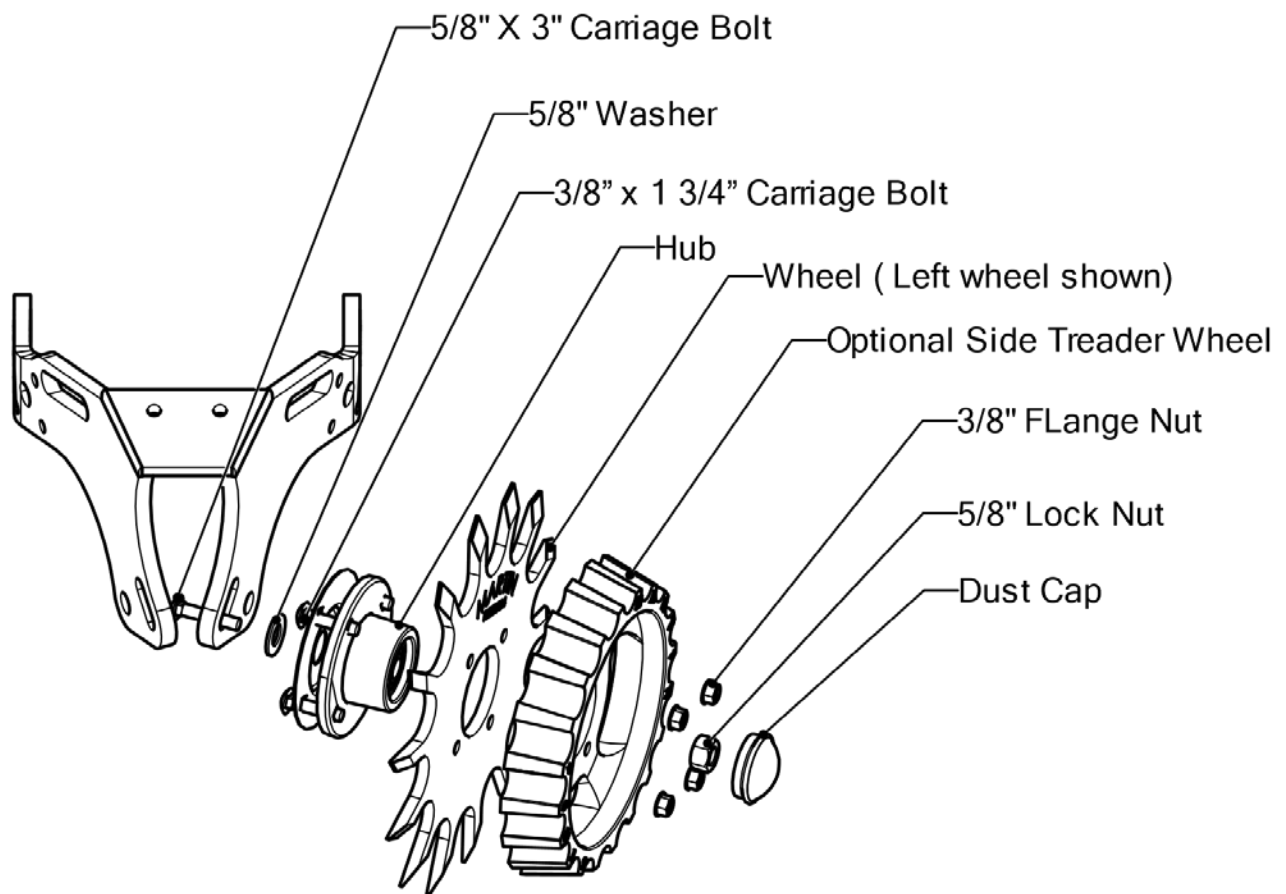
The staggered configuration allows the toothed wheels to turn more easily in loose soil.

With this configuration, we suggest running the left wheels in the rear hole on the left half of the planter and the right wheels in the rear hole on the right half of the planter (when viewed from behind).

## STEP 6: INSTALL WHEEL ASSEMBLIES

- 1) Secure the hubs to the frame with the 5/8" X 3" carriage bolts, Washers and nuts. Using a torque-wrench, tighten to 112 ft-lbs. Install the dust cap.
- 2) Install the wheel (part # to the outside) and side treader wheel on the hub, using the four carriage bolts and flange nuts. Torque to 23 ft-lbs. Re-tighten after first day's use.
- 3) The wheel marked TW3813-R4 is for use on the right side of the frame (as viewed from behind the machine). Repeat for opposite side.

Note: In offset configuration, for the wheel installed in the rear hole, use the 5/8" X 3" HEX bolt instead of the 5/8" X 3" carriage bolt.



# STEP 7: INSTALL THE OPTIONAL SMART CLEAN CYLINDER

Install the SmartClean cylinder between the top and bottom brackets. Use pins as shown in the picture below.

**NOTE:** Cylinder may be installed with elbow valves in either up or down orientation, depending on user preference.

