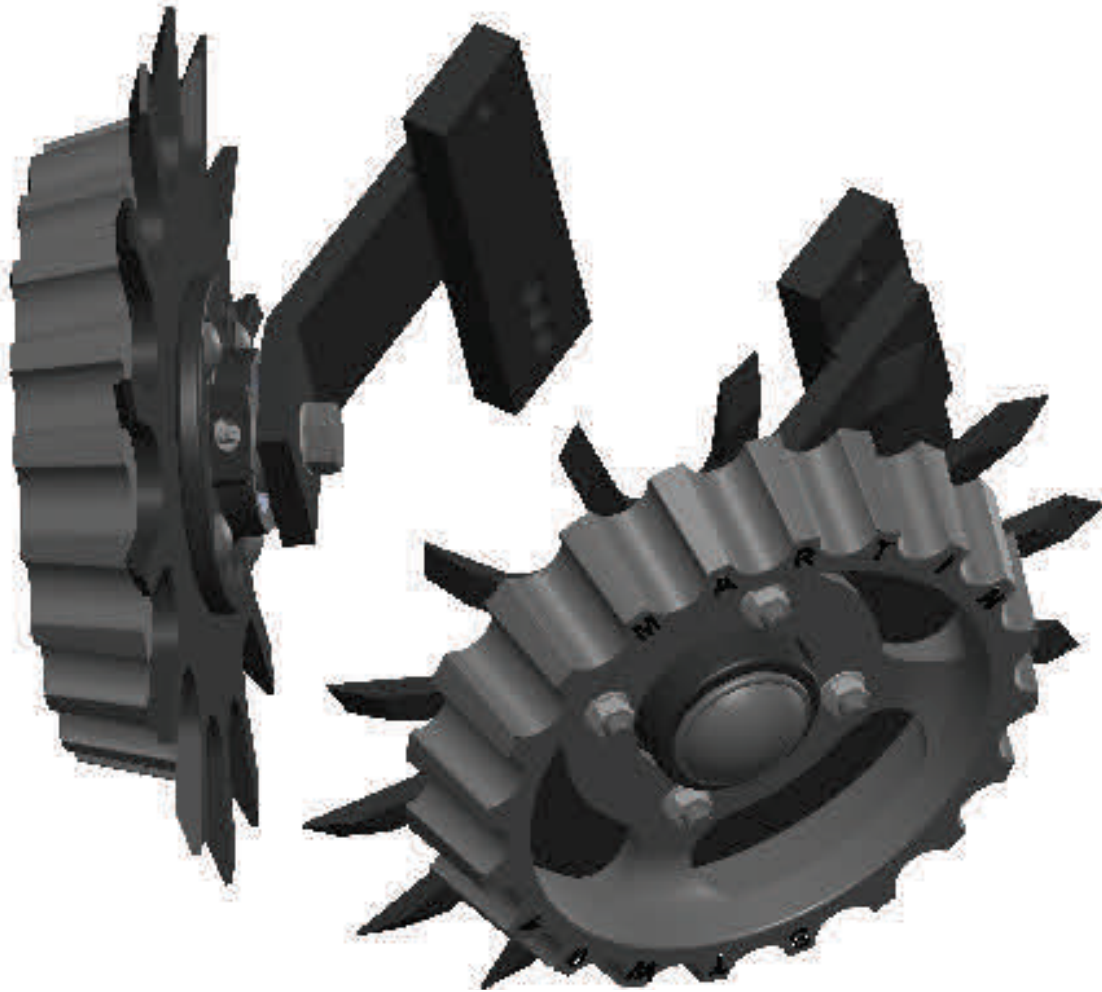


B413

Coulter Mounted Row Cleaner for White Dual Arm Frame Mounted Coulter

Installation Instructions



Martin Planter Attachments

Martin Industries LLC

206 Elk Fork Road

Elkton, KY 42220

Telephone: 270-265-5817

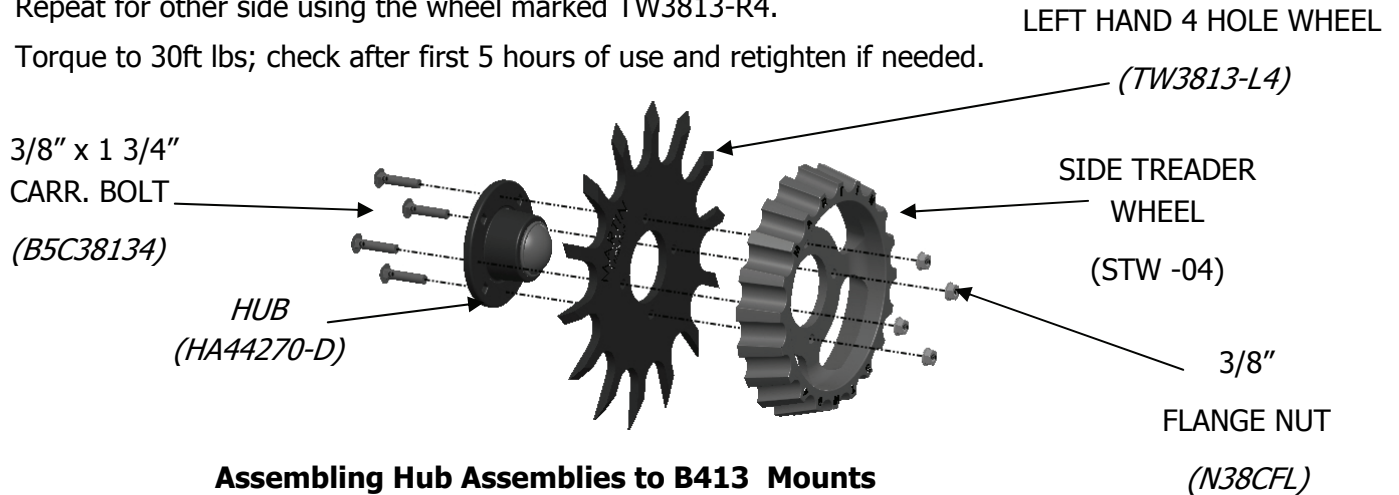
E-Mail: martin@martintill.com

www.martintill.com



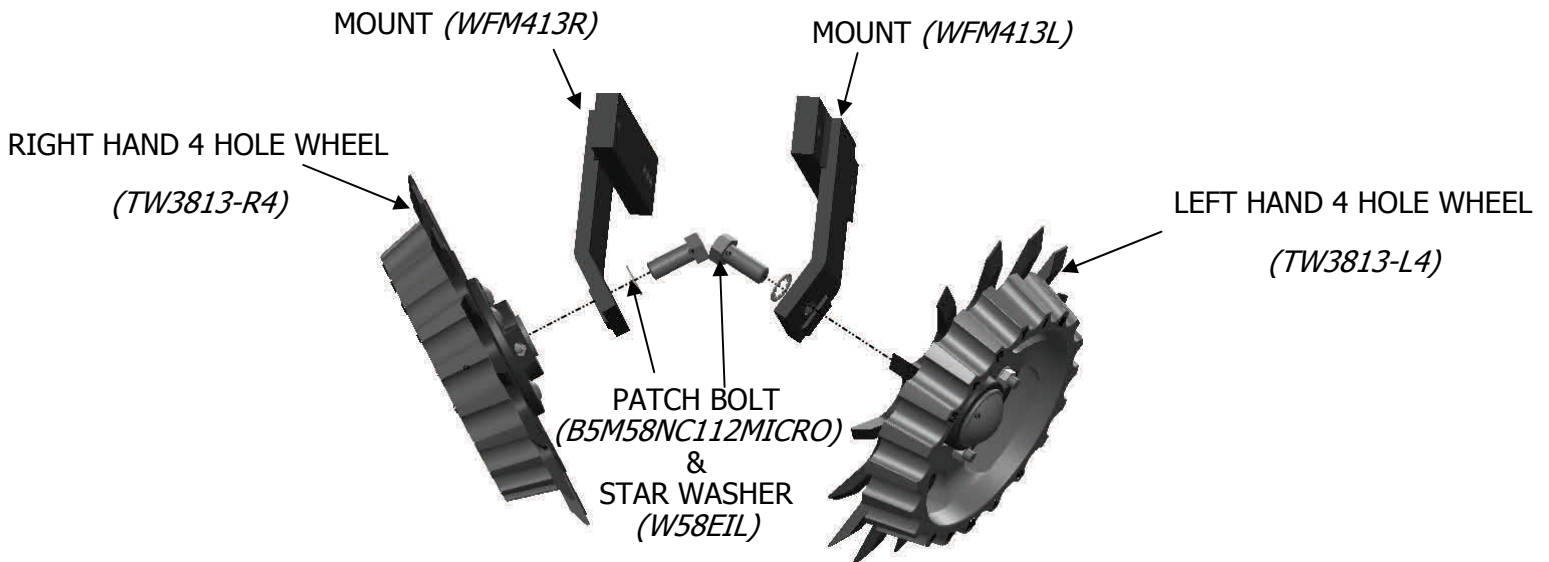
Assembling Wheels to Hubs

- 1) Insert the four 3/8" x 1 3/4" carriage bolt into the HA44270-D hub.
- 2) Place the TW3813-L4 wheel and STW-04 (side treader wheel) over the bolts, with the part number facing away from the hub.
- 3) Thread on the four 3/8" nuts .
- 4) Repeat for other side using the wheel marked TW3813-R4.
- 5) Torque to 30ft lbs; check after first 5 hours of use and retighten if needed.



Assembling Hub Assemblies to B413 Mounts

- 1) Locate the hub assembly with the TW3813-L4 wheel and the WFM413L Mount.
- 2) Place the star washer onto the 5/8" x 1 1/2" patch bolt and place the bolt in to the hole in the mount.
- 3) Attach the TW3813-L4 hub assembly and the WFM413L mount by aligning the flat on the hub axle and the flat on the mount. Then thread the 5/8" x 1 1/2" patch bolt into the hub axle. Torque to 200ft lbs. Recheck after 5 hours use, retighten if needed.
- 4) Repeat for opposite side using the TW3813-R4 hub assembly and the WFM413R mount.



Hardware Required Per Wheel

1) 3/8" x 1 3/4" Carriage Bolts	Qty 4
2) 3/8" Nuts	Qty 4
3) 5/8" x 1 1/2" Patch Bolt	Qty 1
4) 5/8" Star Washer	Qty 1

Parts list for HA44270-D

